

Flat Spray Nozzles Series

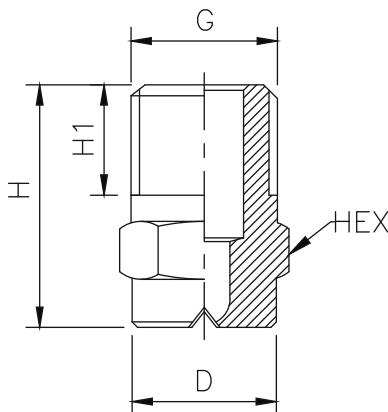


APPLICATION

- Belt cleaning
- Coating
- Steam cleaning
- Degreasing
- High pressure cleaning
- Gravel washing
- Cooling
- Surface treatment
- Phosphating
- Rain curtains
- Foam control
- Foam spraying
- Lubrication
- Filter cleaning
- Spray cleaning
- Washing processes and many others...

CA Series Flat Spray Nozzles

CA



Standard design with self sealing thread connection. Stable spray angle, Uniform distribution of liquid, parabolical distribution of liquid.

Design : One piece construction, Non clogging type.

Application : Rinsing, Lubricating, Industrial washing machines, Cake washing in Centrifuge, CIP, Tray washing.

'C' Series Flat Spray Nozzles are designed for high pressure / high impact washing application. These nozzles are specially designed and machined with precision which allows even spray coverage and distribution. This results in effective and uniform cleaning action over the surface being processed. Flat spray nozzles are available in all steel grades, Plastics & other alloys. Spray angle range available from 15° to 120°

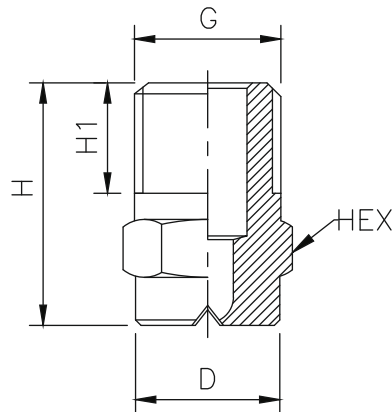
15° SPRAY ANGLE	CONNECTION END		ORIFICE SIZE (mm)	FLOW CAPACITY IN LPM AT DIFFERENT PRESSURE							G/A DIMENSION. MM				
	1/8"	1/4"		PRESSURE [BAR]											
MODEL NO.	BSP BSPT NPT	BSP BSPT NPT		0.5	1.0	2.0	3.0	5.0	7.0	10.0	CONN.	H	H1	D	HEX
CA11.050	●	●	0.8	0.25	0.35	0.50	0.61	0.79	0.94	1.12	1/8"	18	6.5	10.2	11
CA11.075	●	●	1.0	0.37	0.53	0.75	0.92	1.19	1.40	1.68	1/8" Weight (Metals) = 7 gms. Approx				
CA11.100	●	●	1.2	0.50	0.71	1.00	1.22	1.58	1.87	2.24	1/4"	22	10	13	14
CA11.150	●	●	1.5	0.75	1.06	1.50	1.84	2.37	2.81	3.35	1/4" Weight (Metals) = 18 gms. Approx				
CA11.175	●	●	1.6	0.87	1.24	1.75	2.14	2.77	3.27	3.91					
CA11.200	●	●	1.7	1.00	1.41	2.00	2.45	3.16	3.74	4.47					
CA11.250	●	●	1.9	1.25	1.77	2.50	3.06	3.95	4.68	5.59					
CA11.300	●	●	2.1	1.5	2.12	3.0	3.67	4.74	5.61	6.71					
CA11.350	●	●	2.3	1.75	2.47	3.50	4.29	5.53	6.55	7.83					
CA11.400	●	●	2.4	2.00	2.83	4.00	4.90	6.32	7.48	8.94					
CA11.475	●	●	2.7	2.37	3.36	4.75	5.82	7.51	8.89	10.62					
CA11.650	●	●	3.1	3.25	4.60	6.50	7.96	10.28	12.16	14.53					
CA11.800	●	●	3.5	4.00	5.66	8.00	9.80	12.65	14.97	17.89					
CA21.100		●	3.9	5.00	7.07	10.00	12.25	15.81	18.71	22.36					
CA21.125		●	4.3	6.25	8.84	12.50	15.31	19.76	23.39	27.95					
CA21.160		●	4.9	8.00	11.31	16.00	19.60	25.30	29.93	35.78					
CA21.180		●	5.2	9.00	12.73	18.00	22.05	28.46	33.67	40.25					
CA21.200		●	5.5	10.00	14.14	20.00	24.49	31.62	37.42	44.72					
CA21.225		●	5.8	11.25	15.91	22.50	27.56	35.58	42.09	50.31					
CA21.250		●	6.1	12.50	17.68	25.00	30.62	39.53	46.77	55.90					

CA Series Flat Spray Nozzles

Standard design with connection suitable spray angle uniform distribution of liquid. The internal geometry of each nozzles is specifically engineered to provide maximum uniformity of the spray angle and flow rate.

Application :

- Spray Coating
- Lubricating
- Circuit Board Rinsing
- Metal Processing
- Part Washing



Headers



30° SPRAY ANGLE	CONNECTION END		ORIFICE SIZE (mm)	FLOW CAPACITY IN LPM AT DIFFERENT PRESSURE							G/A DIMENSION. MM				
	1/8"	1/4"		PRESSURE [BAR]							CONN.	H	H1	D	HEX
MODEL NO.	BSP BSPT NPT	BSP BSPT NPT		0.5	1.0	2.0	3.0	5.0	7.0	10.0					
CA12.050	●	●	0.8	0.25	0.35	0.50	0.61	0.79	0.94	1.12	1/8"	18	6.5	10.2	11
CA12.075	●	●	1.0	0.37	0.53	0.75	0.92	1.19	1.40	1.68	1/8" Weight (Metals) = 7 gms. Approx				
CA12.100	●	●	1.2	0.50	0.71	1.00	1.22	1.58	1.87	2.24	1/4"	22	10	13	14
CA12.150	●	●	1.5	0.75	1.06	1.50	1.84	2.37	2.81	3.35	1/4" Weight (Metals) = 18 gms. Approx				
CA12.175	●	●	1.6	0.87	1.24	1.75	2.14	2.77	3.27	3.91					
CA12.200	●	●	1.7	1.00	1.41	2.00	2.45	3.16	3.74	4.47					
CA12.250	●	●	1.9	1.25	1.77	2.50	3.06	3.95	4.68	5.59					
CA12.300	●	●	2.1	1.5	2.12	3.0	3.67	4.74	5.61	6.71					
CA12.350	●	●	2.3	1.75	2.47	3.50	4.29	5.53	6.55	7.83					
CA12.400	●	●	2.4	2.00	2.83	4.00	4.90	6.32	7.48	8.94					
CA12.475	●	●	2.7	2.37	3.36	4.75	5.82	7.51	8.89	10.62					
CA12.650	●	●	3.1	3.25	4.60	6.50	7.96	10.28	12.16	14.53					
CA12.800	●	●	3.5	4.00	5.66	8.00	9.80	12.65	14.97	17.89					
CA22.100		●	3.9	5.00	7.07	10.00	12.25	15.81	18.71	22.36					
CA22.125		●	4.3	6.25	8.84	12.50	15.31	19.76	23.39	27.95					
CA22.160		●	4.9	8.00	11.31	16.00	19.60	25.30	29.93	35.78					
CA22.180		●	5.2	9.00	12.73	18.00	22.05	28.46	33.67	40.25					
CA22.200		●	5.5	10.00	14.14	20.00	24.49	31.62	37.42	44.72					
CA22.225		●	5.8	11.25	15.91	22.50	27.56	35.58	42.09	50.31					
CA22.250		●	6.1	12.50	17.68	25.00	30.62	39.53	46.77	55.90					

* Flow rate in US GPM @40 psi Pressure

CA Series Flat Spray Nozzles

45° SPRAY ANGLE	END CONNECTION				ORIFICE SIZE (mm)	FLOW CAPACITY IN LPM AT DIFFERENT PRESSURE VALUES							G/A DIMENSION. MM				
	1/8"	1/4"	3/8"	1/2"		PRESSURE [BAR]							CONN.	H	H1	D	HEX
MODEL NO.	BSP BSPT NPT	BSP BSPT NPT	BSP BSPT NPT	BSP BSPT NPT		0.5	1.0	2.0	3.0	5.0	7.0	10.0					
CA13.050	●	●			0.8	0.25	0.35	0.50	0.61	0.79	0.94	1.12	1/8"	18	6.5	10	11
CA13.075	●	●			1.0	0.37	0.53	0.75	0.92	1.19	1.40	1.68	1/8" Weight (Metals) = 7 gms. Approx				
CA13.100	●	●			1.2	0.50	0.71	1.00	1.22	1.58	1.87	2.24	1/4"	22	10	13	14
CA13.150	●	●			1.5	0.75	1.06	1.50	1.84	2.37	2.81	3.35	1/4" Weight (Metals) = 18 gms. Approx				
CA13.175	●	●			1.6	0.87	1.24	1.75	2.14	2.77	3.27	3.91	3/8"	25	12	16	17
CA13.200	●	●			1.7	1.00	1.41	2.00	2.45	3.16	3.74	4.47	3/8" Weight (Metals) = 28 gms. Approx				
CA13.250	●	●			1.9	1.25	1.77	2.50	3.06	3.95	4.68	5.59	1/2"	27	13.2	21	22
CA13.300	●	●			2.1	1.5	2.12	3.00	3.67	4.74	5.61	6.71	1/2" Weight (Metals) = 42 gms. Approx				
CA13.350	●	●			2.3	1.75	2.47	3.50	4.29	5.53	6.55	7.83					
CA13.400	●	●			2.4	2.00	2.83	4.00	4.90	6.32	7.48	8.94					
CA13.475	●	●			2.7	2.37	3.36	4.75	5.82	7.51	8.89	10.62					
CA13.650	●	●			3.1	3.25	4.60	6.50	7.96	10.28	12.16	14.53					
CA13.800	●	●			3.5	4.00	5.66	8.00	9.80	12.65	14.97	17.89					
CA23.100		●	●		3.9	5.00	7.07	10.00	12.25	15.81	18.71	22.36					
CA23.125		●	●		4.3	6.25	8.84	12.50	15.31	19.76	23.39	27.95					
CA23.160		●	●		4.9	8.00	11.31	16.00	19.60	25.30	29.93	35.78					
CA23.180		●	●		5.2	9.00	12.73	18.00	22.05	28.46	33.67	40.25					
CA23.200		●	●		5.5	10.00	14.14	20.00	24.49	31.62	37.42	44.72					
CA23.225		●	●		5.8	11.25	15.91	22.50	27.56	35.58	42.09	50.31					
CA23.250		●	●		6.1	12.50	17.68	25.00	30.62	39.53	46.77	55.90					
CA23.320			●	●	6.4	16.00	22.63	32.00	39.19	50.60	59.87	71.55					
CA23.400			●	●	7.8	20.00	28.28	40.00	48.99	63.25	74.83	89.44					
CA23.520				●	8.9	26.00	36.77	52.00	63.69	82.22	97.28	116.28					
CA23.650				●	9.9	32.50	45.96	65.00	79.61	102.77	121.60	145.34					
CA23.800				●	11.0	40.00	56.57	80.00	97.98	126.49	149.67	178.89					

60° SPRAY ANGLE	END CONNECTION				ORIFICE SIZE (mm)	FLOW CAPACITY IN LPM AT DIFFERENT PRESSURE VALUES							G/A DIMENSION. MM				
	1/8"	1/4"	3/8"	1/2"		PRESSURE [BAR]							CONN.	H	H1	D	HEX
MODEL NO.	BSP BSPT NPT	BSP BSPT NPT	BSP BSPT NPT	BSP BSPT NPT		0.5	1.0	2.0	3.0	5.0	7.0	10.0					
CA14.050	●	●			0.8	0.25	0.35	0.50	0.61	0.79	0.94	1.12	1/8"	18	6.5	10	11
CA14.075	●	●			1.0	0.37	0.53	0.75	0.92	1.19	1.40	1.68	1/8" Weight (Metals) = 7 gms. Approx				
CA14.100	●	●			1.2	0.50	0.71	1.00	1.22	1.58	1.87	2.24	1/4"	22	10	13	14
CA14.150	●	●			1.5	0.75	1.06	1.50	1.84	2.37	2.81	3.35	1/4" Weight (Metals) = 18 gms. Approx				
CA14.175	●	●			1.6	0.87	1.24	1.75	2.14	2.77	3.27	3.91	3/8"	25	12	16	17
CA14.200	●	●			1.7	1.00	1.41	2.00	2.45	3.16	3.74	4.47	3/8" Weight (Metals) = 28 gms. Approx				
CA14.250	●	●			1.9	1.25	1.77	2.50	3.06	3.95	4.68	5.59	1/2"	27	13.2	21	22
CA14.300	●	●			2.1	1.50	2.12	3.00	3.67	4.74	5.61	6.71	1/2" Weight (Metals) = 42 gms. Approx				
CA14.350	●	●			2.3	1.75	2.47	3.50	4.29	5.53	6.55	7.83					
CA14.400	●	●			2.4	2.00	2.83	4.00	4.90	6.32	7.48	8.94					
CA14.475	●	●			2.7	2.37	3.36	4.75	5.82	7.51	8.89	10.62					
CA14.650	●	●			3.1	3.25	4.60	6.50	7.96	10.28	12.16	14.53					
CA14.800	●	●			3.5	4.00	5.66	8.00	9.80	12.65	14.97	17.89					
CA24.100		●	●		3.9	5.00	7.07	10.00	12.25	15.81	18.71	22.36					
CA24.125		●	●		4.3	6.25	8.84	12.50	15.31	19.76	23.39	27.95					
CA24.160		●	●		4.9	8.00	11.31	16.00	19.60	25.30	29.93	35.78					
CA24.180		●	●		5.2	9.00	12.73	18.00	22.05	28.46	33.67	40.25					
CA24.200		●	●		5.5	10.00	14.14	20.00	24.49	31.62	37.42	44.72					
CA24.225		●	●		5.8	11.25	15.91	22.50	27.56	35.58	42.09	50.31					
CA24.250		●	●		6.1	12.50	17.68	25.00	30.62	39.53	46.77	55.90					
CA24.320			●	●	6.4	16.00	22.63	32.00	39.19	50.60	59.87	71.55					
CA24.400			●	●	7.8	20.00	28.28	40.00	48.99	63.25	74.83	89.44					
CA24.520				●	8.9	26.00	36.77	52.00	63.69	82.22	97.28	116.28					
CA24.650				●	9.9	32.50	45.96	65.00	79.61	102.77	121.60	145.34					
CA24.800				●	11.0	40.00	56.57	80.00	97.98	126.49	149.67	178.89					

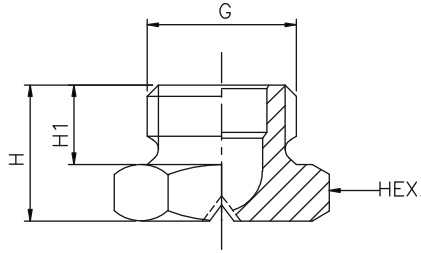
CA Series Flat Spray Nozzles

90° SPRAY ANGLE	END CONNECTION				ORIFICE SIZE (mm)	FLOW CAPACITY IN LPM AT DIFFERENT PRESSURE VALUES							G/A DIMENSION. MM				
	1/8"	1/4"	3/8"	1/2"		PRESSURE [BAR]											
MODEL NO.	BSP BSPT NPT	BSP BSPT NPT	BSP BSPT NPT	BSP BSPT NPT		0.5	1.0	2.0	3.0	5.0	7.0	10.0	CONN.	H	H1	D	HEX
CA16.050	●	●			0.8	0.25	0.35	0.50	0.61	0.79	0.94	1.12	1/8"	18	6.5	10	11
CA16.075	●	●			1.0	0.37	0.53	0.75	0.92	1.19	1.40	1.68	1/8" Weight (Metals) = 7 gms. Approx				
CA16.100	●	●			1.2	0.50	0.71	1.00	1.22	1.58	1.87	2.24	1/4"	22	10	13	14
CA16.150	●	●			1.5	0.75	1.06	1.50	1.84	2.37	2.81	3.35	1/4" Weight (Metals) = 18 gms. Approx				
CA16.175	●	●			1.6	0.87	1.24	1.75	2.14	2.77	3.27	3.91	3/8"	25	12	16	17
CA16.200	●	●			1.7	1.00	1.41	2.00	2.45	3.16	3.74	4.47	3/8" Weight (Metals) = 28 gms. Approx				
CA16.250	●	●			1.9	1.25	1.77	2.50	3.06	3.95	4.68	5.59	1/2"	27	13.2	21	22
CA16.300	●	●			2.1	1.5	2.12	3.00	3.67	4.74	5.61	6.71	1/2" Weight (Metals) = 42 gms. Approx				
CA16.350	●	●			2.3	1.75	2.47	3.50	4.29	5.53	6.55	7.83					
CA16.400	●	●			2.4	2.00	2.83	4.00	4.90	6.32	7.48	8.94					
CA16.475	●	●			2.7	2.37	3.36	4.75	5.82	7.51	8.89	10.62					
CA16.650	●	●			3.1	3.25	4.60	6.50	7.96	10.28	12.16	14.53					
CA16.800	●	●			3.5	4.00	5.66	8.00	9.80	12.65	14.97	17.89					
CA26.100		●	●		3.9	5.00	7.07	10.00	12.25	15.81	18.71	22.36					
CA26.125		●	●		4.3	6.25	8.84	12.50	15.31	19.76	23.39	27.95					
CA26.160		●	●		4.9	8.00	11.31	16.00	19.60	25.30	29.93	35.78					
CA26.180		●	●		5.2	9.00	12.73	18.00	22.05	28.46	33.67	40.25					
CA26.200		●	●		5.5	10.00	14.14	20.00	24.49	31.62	37.42	44.72					
CA26.225		●	●		5.8	11.25	15.91	22.50	27.56	35.58	42.09	50.31					
CA26.250		●	●		6.1	12.50	17.68	25.00	30.62	39.53	46.77	55.90					
CA26.320			●	●	6.4	16.00	22.63	32.00	39.19	50.60	59.87	71.55					
CA26.400			●	●	7.8	20.00	28.28	40.00	48.99	63.25	74.83	89.44					
CA26.520				●	8.9	26.00	36.77	52.00	63.69	82.22	97.28	116.28					
CA26.650				●	9.9	32.50	45.96	65.00	79.61	102.77	121.60	145.34					
CA26.800				●	11.0	40.00	56.57	80.00	97.98	126.49	149.67	178.89					

120° SPRAY ANGLE	END CONNECTION				ORIFICE SIZE (mm)	FLOW CAPACITY IN LPM AT DIFFERENT PRESSURE VALUES							G/A DIMENSION. MM				
	1/8"	1/4"	3/8"	1/2"		PRESSURE [BAR]											
MODEL NO.	BSP BSPT NPT	BSP BSPT NPT	BSP BSPT NPT	BSP BSPT NPT		0.5	1.0	2.0	3.0	5.0	7.0	10.0	CONN.	H	H1	D	HEX
CA18.050	●	●			0.8	0.25	0.35	0.50	0.61	0.79	0.94	1.12	1/8"	18	6.5	10	11
CA18.075	●	●			1.0	0.37	0.53	0.75	0.92	1.19	1.40	1.68	1/8" Weight (Metals) = 7 gms. Approx				
CA18.100	●	●			1.2	0.50	0.71	1.00	1.22	1.58	1.87	2.24	1/4"	22	10	13	14
CA18.150	●	●			1.5	0.75	1.06	1.50	1.84	2.37	2.81	3.35	1/4" Weight (Metals) = 18 gms. Approx				
CA18.175	●	●			1.6	0.87	1.24	1.75	2.14	2.77	3.27	3.91	3/8"	25	12	16	17
CA18.200	●	●			1.7	1.00	1.41	2.00	2.45	3.16	3.74	4.47	3/8" Weight (Metals) = 28 gms. Approx				
CA18.250	●	●			1.9	1.25	1.77	2.50	3.06	3.95	4.68	5.59	1/2"	27	13.2	21	22
CA18.300	●	●			2.1	1.5	2.12	3.00	3.67	4.74	5.61	6.71	1/2" Weight (Metals) = 42 gms. Approx				
CA18.350	●	●			2.3	1.75	2.47	3.50	4.29	5.53	6.55	7.83					
CA18.400	●	●			2.4	2.00	2.83	4.00	4.90	6.32	7.48	8.94					
CA18.475	●	●			2.7	2.37	3.36	4.75	5.82	7.51	8.89	10.62					
CA18.650	●	●			3.1	3.25	4.60	6.50	7.96	10.28	12.16	14.53					
CA18.800	●	●			3.5	4.00	5.66	8.00	9.80	12.65	14.97	17.89					
CA28.100		●	●		3.9	5.00	7.07	10.00	12.25	15.81	18.71	22.36					
CA28.125		●	●		4.3	6.25	8.84	12.50	15.31	19.76	23.39	27.95					
CA28.160		●	●		4.9	8.00	11.31	16.00	19.60	25.30	29.93	35.78					
CA28.180		●	●		5.2	9.00	12.73	18.00	22.05	28.46	33.67	40.25					
CA28.200		●	●		5.5	10.00	14.14	20.00	24.49	31.62	37.42	44.72					
CA28.225		●	●		5.8	11.25	15.91	22.50	27.56	35.58	42.09	50.31					
CA28.250		●	●	●	6.1	12.50	17.68	25.00	30.62	39.53	46.77	55.90					
CA28.320			●	●	6.4	16.00	22.63	32.00	39.19	50.60	59.87	71.55					
CA28.400			●	●	7.8	20.00	28.28	40.00	48.99	63.25	74.83	89.44					

CB Series Flat Spray Nozzles

CB



Uniform, Parabolic distribution of liquid. Compact design, suitable for confined installation conditions.

Application :

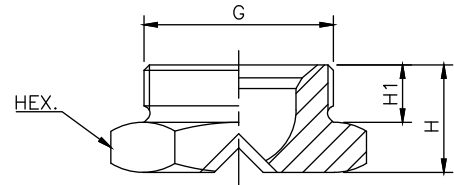
Cleaning plants, spray headers, cooling pipes. Small flow rates upon request.

15° SPRAY ANGLE	CONNECTION END	ORIFICE SIZE (mm)	FLOW CAPACITY IN LPM AT DIFFERENT PRESSURE							G/A DIMENSION. MM			
	1/4"		PRESSURE [BAR]										
MODEL NO.	BSP		0.5	1.0	2.0	3.0	5.0	7.0	10.0	CONN.	H	H1	HEX
CB11.050	●	0.8	0.25	0.35	0.50	0.61	0.79	0.94	1.12	1/4"	13	8	17
CB11.075	●	1.0	0.37	0.53	0.75	0.92	1.19	1.40	1.68	1/4" Weight (Metals) = 12 gms. Approx			
CB11.100	●	1.2	0.50	0.71	1.00	1.22	1.58	1.87	2.24				
CB11.150	●	1.5	0.75	1.06	1.50	1.84	2.37	2.81	3.35				
CB11.175	●	1.6	0.87	1.24	1.75	2.14	2.77	3.27	3.91				
CB11.200	●	1.7	1.00	1.41	2.00	2.45	3.16	3.74	4.47				
CB11.250	●	1.9	1.25	1.77	2.50	3.06	3.95	4.68	5.59				
CB11.300	●	2.1	1.5	2.12	3.00	3.67	4.74	5.61	6.71				
CB11.350	●	2.3	1.75	2.47	3.50	4.29	5.53	6.55	7.83				
CB11.400	●	2.4	2.00	2.83	4.00	4.90	6.32	7.48	8.94				
CB11.475	●	2.7	2.37	3.36	4.75	5.82	7.51	8.89	10.62				
CB11.650	●	3.1	3.25	4.60	6.50	7.96	10.28	12.16	14.53				
CB11.800	●	3.5	4.00	5.66	8.00	9.80	12.65	14.97	17.89				
CB21.100	●	3.9	5.00	7.07	10.00	12.25	15.81	18.71	22.36				
CB21.125	●	4.3	6.25	8.84	12.50	15.31	19.76	23.39	27.95				
CB21.160	●	4.9	8.00	11.31	16.00	19.60	25.30	29.93	35.78				
CB21.180	●	5.2	9.00	12.73	18.00	22.05	28.46	33.67	40.25				
CB21.200	●	5.5	10.00	14.14	20.00	24.49	31.62	37.42	44.72				

30° SPRAY ANGLE	CONNECTION END	ORIFICE SIZE (mm)	FLOW CAPACITY IN LPM AT DIFFERENT PRESSURE							G/A DIMENSION. MM			
	1/4"		PRESSURE [BAR]										
MODEL NO.	BSP		0.5	1.0	2.0	3.0	5.0	7.0	10.0	CONN.	H	H1	HEX
CB12.050	●	0.8	0.25	0.35	0.50	0.61	0.79	0.94	1.12	1/4"	13	8	17
CB12.075	●	1.0	0.37	0.53	0.75	0.92	1.19	1.40	1.68	1/4" Weight (Metals) = 12 gms. Approx			
CB12.100	●	1.2	0.50	0.71	1.00	1.22	1.58	1.87	2.24				
CB12.150	●	1.5	0.75	1.06	1.50	1.84	2.37	2.81	3.35				
CB12.175	●	1.6	0.87	1.24	1.75	2.14	2.77	3.27	3.91				
CB12.200	●	1.7	1.00	1.41	2.00	2.45	3.16	3.74	4.47				
CB12.250	●	1.9	1.25	1.77	2.50	3.06	3.95	4.68	5.59				
CB12.300	●	2.1	1.50	2.12	3.00	3.67	4.74	5.61	6.71				
CB12.350	●	2.3	1.75	2.47	3.50	4.29	5.53	6.55	7.83				
CB12.400	●	2.4	2.00	2.83	4.00	4.90	6.32	7.48	8.94				
CB12.475	●	2.7	2.37	3.36	4.75	5.82	7.51	8.89	10.62				
CB12.650	●	3.1	3.25	4.60	6.50	7.96	10.28	12.16	14.53				
CB12.800	●	3.5	4.00	5.66	8.00	9.80	12.65	14.97	17.89				
CB22.100	●	3.9	5.00	7.07	10.00	12.25	15.81	18.71	22.36				
CB22.125	●	4.3	6.25	8.84	12.50	15.31	19.76	23.39	27.95				
CB22.160	●	4.9	8.00	11.31	16.00	19.60	25.30	29.93	35.78				
CB22.180	●	5.2	9.00	12.73	18.00	22.05	28.05	33.67	40.25				
CB22.200	●	5.5	10.00	14.14	20.00	24.49	31.62	37.42	44.72				

CB Series Flat Spray Nozzles

CB type nozzles deliver a flat spray with parabolic distribution pattern, which allows for obtaining an even distribution when several nozzles are assembled in a row on to a manifold. Their short body design makes it possible to use nozzle spray pipes in such machines or systems where the available space is very limited. CB nozzles are manufactured in two different capacity ranges, out of brass or 303 stainless steel and on request from a choice of additional metallic and plastic materials. Because of their limited length these nozzles can only be produced with a straight BSP thread and require some extra care when being assembled to get the proper flat alignment also note the different dimensions given in the table below

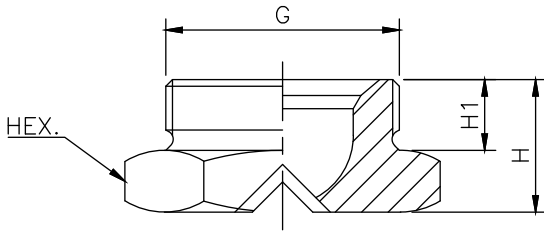


Application :

- Cooling of Roll Stock
- Water Treatment
- Cleaning Plants

45° SPRAY ANGLE	CONNECTION END					ORIFICE SIZE (mm)	FLOW CAPACITY IN LPM AT DIFFERENT PRESSURE							G/A DIMENSION. MM			
	1/4"	3/4"	1"	1 1/4"	2"		PRESSURE [BAR]							CONN.	H	H1	HEX
MODEL NO.	BSP	BSP	BSP	BSP	BSP		0.5	1.0	2.0	3.0	5.0	7.0	10.0				
CB13.050	●					0.8	0.25	0.35	0.50	0.61	0.79	0.94	1.12	1/4"	13	8	17
CB13.075	●					1.0	0.37	0.53	0.75	0.92	1.19	1.40	1.68	1/4" Weight (Metals) = 12 gms. Approx			
CB13.100	●					1.2	0.50	0.71	1.00	1.22	1.58	1.87	2.24	3/4"	15	9	32
CB13.150	●					1.5	0.75	1.06	1.50	1.84	2.37	2.81	3.35	3/4" Weight (Metals) = 53 gms. Approx			
CB13.175	●					1.6	0.87	1.24	1.75	2.14	2.77	3.27	3.91	1"	20	12	36
CB13.200	●					1.7	1.00	1.41	2.00	2.45	3.16	3.74	4.47	1" Weight (Metals) = 107 gms. Approx			
CB13.250	●					1.9	1.25	1.77	2.50	3.06	3.95	4.68	5.59	1 1/4"	22	14	50
CB13.300	●					2.1	1.50	2.12	3.00	3.67	4.74	5.61	6.71	1 1/4" Weight (Metals) = xxx gms. Approx			
CB13.350	●					2.3	1.75	2.47	3.50	4.29	5.53	6.55	7.83	2"	32	20	70
CB13.400	●					2.4	2.00	2.83	4.00	4.90	6.32	7.48	8.94	2" Weight (Metals) = XXX gms. Approx			
CB13.475	●					2.7	2.37	3.36	4.75	5.82	7.51	8.89	10.62				
CB13.650	●					3.1	3.25	4.60	6.50	7.96	10.28	12.16	14.53				
CB13.800	●					3.5	4.00	5.66	8.00	9.80	12.65	14.97	17.89				
CB23.100	●					3.9	5.00	7.07	10.00	12.25	15.81	18.71	22.36				
CB23.125	●					4.3	6.25	8.84	12.50	15.31	19.76	23.39	27.95				
CB23.160	●					4.9	8.00	11.31	16.00	19.60	25.30	29.93	35.78				
CB23.180	●					5.2	9.00	12.73	18.00	22.05	28.46	33.67	40.25				
CB23.200	●					5.5	10.00	14.14	20.00	24.49	31.62	37.42	44.72				
CB23.225	●					5.8	11.25	15.91	22.50	27.56	35.58	42.09	50.31				
CB23.250		●				6.1	12.50	17.68	25.00	30.62	39.53	46.77	55.90				
CB23.320		●				6.4	16.00	22.63	32.00	39.19	50.60	59.87	71.55				
CB23.400		●				7.8	20.00	28.28	40.00	48.99	63.25	74.83	89.44				
CB23.520		●	●			8.9	26.00	36.77	52.00	63.69	82.22	97.28	116.28				
CB23.650		●	●	●		9.9	32.50	45.96	65.00	79.61	102.77	121.60	145.34				
CB23.800		●	●	●		11.0	40.00	56.57	80.00	97.98	126.49	149.67	178.89				
CB33.100		●	●	●		11.3	50.00	70.71	100.0	122.4	158.1	187.0	223.6				
CB33.140				●		12.6	70.00	89.09	140.0	171.46	221.36	261.92	313.92				
CB33.160				●	●	14.3	80.00	113.14	160.0	195.96	252.98	299.33	357.77				
CB33.175				●		14.9	87.50	123.74	175.0	214.33	276.70	327.40	391.31				
CB33.200				●		16.0	100.0	141.42	200.0	244.95	316.23	374.17	447.21				
CB33.250				●		17.8	125.0	176.78	250.0	306.19	395.28	467.71	559.02				
CB33.325				●		20.3	162.5	229.81	325.0	398.04	513.87	608.02	726.72				
CB33.430				●		23.4	215.0	304.06	430.0	526.64	679.89	804.46	961.51				

CB Series Flat Spray Nozzles



Characteristic

Increased, Non-clogging features. mor jet energy, Low share of fog. Headers, Equipped with these nozzles, Shows a highly uniform total distribution of liquids, Even at different installation heights and centers.

Application :

Cleaning plants spray headers, cooling pipes roll cooling of rolled products.

60° SPRAY ANGLE	CONNECTION END					ORIFICE SIZE (mm)	FLOW CAPACITY IN LPM AT DIFFERENT PRESSURE							G/A DIMENSION. MM			
	1/4"	3/4"	1"	1 1/4"	2"		PRESSURE [BAR]										
MODEL NO.	BSP	BSP	BSP	BSP	BSP		0.5	1.0	2.0	3.0	5.0	7.0	10.0	CONN.	H	H1	HEX
CB14.050	●					0.8	0.25	0.35	0.50	0.61	0.79	0.94	1.12	1/4"	13	8	17
CB14.075	●					1.0	0.37	0.53	0.75	0.92	1.19	1.40	1.68	1/4" Weight (Metals) = 12 gms. Approx			
CB14.100	●					1.2	0.50	0.71	1.00	1.22	1.58	1.87	2.24	3/4"	15	9	32
CB14.150	●					1.5	0.75	1.06	1.50	1.84	2.37	2.81	3.35	3/4" Weight (Metals) = 53 gms. Approx			
CB14.175	●					1.6	0.87	1.24	1.75	2.14	2.77	3.27	3.91	1"	20	12	36
CB14.200	●					1.7	1.00	1.41	2.00	2.45	3.16	3.74	4.47	1" Weight (Metals) = 107 gms. Approx			
CB14.250	●					1.9	1.25	1.77	2.50	3.06	3.95	4.68	5.59	1 1/4"	22	14	50
CB14.300	●					2.1	1.50	2.12	3.00	3.67	4.74	5.61	6.71	1 1/4" Weight (Metals) = XX gms. Approx			
CB14.350	●					2.3	1.75	2.47	3.50	4.29	5.53	6.55	7.83	2"	32	20	70
CB14.400	●					2.4	2.00	2.83	4.00	4.90	6.32	7.48	8.94	2" Weight (Metals) = XXX gms. Approx			
CB14.475	●					2.7	2.37	3.36	4.75	5.82	7.51	8.89	10.62				
CB14.650	●					3.1	3.25	4.60	6.50	7.96	10.28	12.16	14.53				
CB14.800	●					3.5	4.00	5.66	8.00	9.80	12.65	14.97	17.89				
CB24.100	●					3.9	5.00	7.07	10.00	12.25	15.81	18.71	22.36				
CB24.125	●					4.3	6.25	8.84	12.50	15.31	19.76	23.39	27.95				
CB24.160	●					4.9	8.00	11.31	16.00	19.60	25.30	29.93	35.78				
CB24.180	●					5.2	9.00	12.73	18.00	22.05	28.46	33.67	40.25				
CB24.200	●					5.5	10.00	14.14	20.00	24.49	31.62	37.42	44.72				
CB24.225	●					5.8	11.25	15.91	22.50	27.56	35.58	42.09	50.31				
CB24.250	●					6.1	12.50	17.68	25.00	30.62	39.53	46.77	55.90				
CB24.320		●				6.4	16.00	22.63	32.00	39.19	50.60	59.87	71.55				
CB24.400		●				7.8	20.00	28.28	40.00	48.99	63.25	74.83	89.44				
CB24.520		●	●			8.9	26.00	36.77	52.00	63.69	82.22	97.28	116.28				
CB24.650		●	●	●		9.9	32.50	45.96	65.00	79.61	102.77	121.60	145.34				
CB24.800		●	●	●		11.0	40.00	56.57	80.00	97.98	126.49	149.67	178.89				
CB34.100		●	●	●		11.3	50.00	70.71	100.0	122.4	158.1	187.0	223.6				
CB34.140			●	●		12.6	70.00	89.09	140.0	171.46	221.36	261.92	313.92				
CB34.160				●	●	14.3	80.00	113.14	160.0	195.96	252.98	299.33	357.77				
CB34.175					●	14.9	87.50	123.74	175.0	214.33	276.70	327.40	391.31				
CB34.200					●	16.0	100.0	141.42	200.0	244.95	316.23	374.17	447.21				
CB34.250					●	17.8	125.0	176.78	250.0	306.19	395.28	467.71	559.02				
CB34.325					●	20.3	162.5	229.81	325.0	398.04	513.87	608.02	726.72				
CB34.430					●	23.4	215.0	304.06	430.0	526.64	679.89	804.46	961.51				

CB Series Flat Spray Nozzles

Increased, non-clogging features, more jet energy, low share of fog. Headers, equipped with these nozzles, show a highly uniform total distribution of liquids, even at different installation heights and centers. These types of nozzles provide uniform parabolic distribution of liquid.

Application:

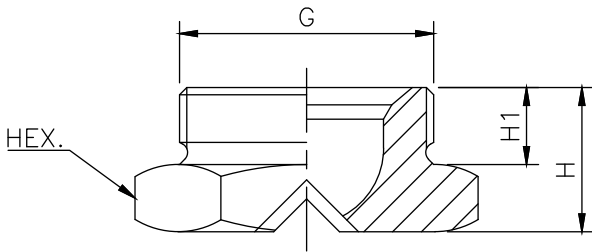
Cleaning plants, spray headers, cooling pipes, roll cooling, cooling of rolled products.

90° SPRAY ANGLE	CONNECTION END					ORIFICE SIZE (mm)	FLOW CAPACITY IN LPM AT DIFFERENT PRESSURE							G/A DIMENSION. MM			
	1/4"	3/4"	1"	1 1/4"	2"		PRESSURE [BAR]										
MODEL NO.	BSP	BSP	BSP	BSP	BSP		0.5	1.0	2.0	3.0	5.0	7.0	10.0	CONN.	H	H1	HEX
CB16.050	●					0.8	0.25	0.35	0.50	0.61	0.79	0.94	1.12	1/4"	13	8	17
CB16.075	●					1.0	0.37	0.53	0.75	0.92	1.19	1.40	1.68	1/4" Weight (Metals) = 12 gms. Approx			
CB16.100	●					1.2	0.50	0.71	1.00	1.22	1.58	1.87	2.24	3/4"	15	9	32
CB16.150	●					1.5	0.75	1.06	1.50	1.84	2.37	2.81	3.35	3/4" Weight (Metals) = 53 gms. Approx			
CB16.175	●					1.6	0.87	1.24	1.75	2.14	2.77	3.27	3.91	1"	20	12	36
CB16.200	●					1.7	1.00	1.41	2.00	2.45	3.16	3.74	4.47	1" Weight (Metals) = 107 gms. Approx			
CB16.250	●					1.9	1.25	1.77	2.50	3.06	3.95	4.68	5.59	1 1/4"	22	14	50
CB16.300	●					2.1	1.50	2.12	3.00	3.67	4.74	5.61	6.71	1 1/4" Weight (Metals) = XX gms. Approx			
CB16.350	●					2.3	1.75	2.47	3.50	4.29	5.53	6.55	7.83	2"	32	20	70
CB16.400	●					2.4	2.00	2.83	4.00	4.90	6.32	7.48	8.94	2" Weight (Metals) = XXX gms. Approx			
CB16.475	●					2.7	2.37	3.36	4.75	5.82	7.51	8.89	10.62				
CB16.650	●					3.1	3.25	4.60	6.50	7.96	10.28	12.16	14.53				
CB16.800	●					3.5	4.00	5.66	8.00	9.80	12.65	14.97	17.89				
CB26.100	●					3.9	5.00	7.07	10.00	12.25	15.81	18.71	22.36				
CB26.125	●					4.3	6.25	8.84	12.50	15.31	19.76	23.39	27.95				
CB26.160	●					4.9	8.00	11.31	16.00	19.60	25.30	29.93	35.78				
CB26.180	●					5.2	9.00	12.73	18.00	22.05	28.46	33.67	40.25				
CB26.200	●					5.5	10.00	14.14	20.00	24.49	31.62	37.42	44.72				
CB26.225	●					5.8	11.25	15.91	22.50	27.56	35.58	42.09	50.31				
CB26.250	●	●				6.1	12.50	17.68	25.00	30.62	39.53	46.77	55.90				
CB26.320		●				6.4	16.00	22.63	32.00	39.19	50.60	59.87	71.55				
CB26.400		●	●			7.8	20.00	28.28	40.00	48.99	63.25	74.83	89.44				
CB26.520		●	●	●		8.9	26.00	36.77	52.00	63.69	82.22	97.28	116.28				
CB26.650		●	●	●		9.9	32.50	45.96	65.00	79.61	102.77	121.60	145.34				
CB26.800		●	●	●		11.0	40.00	56.57	80.00	97.98	126.49	149.67	178.89				
CB36.100		●	●	●		11.3	50.00	70.71	100.0	122.4	158.1	187.0	223.6				
CB36.140			●	●		12.6	70.00	89.09	140.0	171.46	221.36	261.92	313.92				
CB36.160				●	●	14.3	80.00	113.14	160.0	195.96	252.98	299.33	357.77				
CB36.175				●	●	14.9	87.50	123.74	175.0	214.33	276.70	327.40	391.31				
CB36.200				●	●	16.0	100.0	141.42	200.0	244.95	316.23	374.17	447.21				
CB36.250				●	●	17.8	125.0	176.78	250.0	306.19	395.28	467.71	559.02				
CB36.325				●	●	20.3	162.5	229.81	325.0	398.04	513.87	608.02	726.72				
CB36.430				●	●	23.4	215.0	304.06	430.0	526.64	679.89	804.46	961.51				

CB Series Flat Spray Nozzles



CB nozzles are manufactured in two different capacity ranges out of Brass or 303 stainless steel and in request from a choice of additional metallic and plastic material. Because of their limited length these nozzles can only be produced with a straight BSP thread also note the different dimension given in the table below.

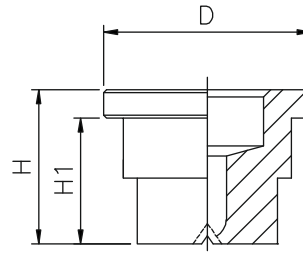


120° SPRAY ANGLE	CONNECTION END					ORIFICE SIZE (mm)	FLOW CAPACITY IN LPM AT DIFFERENT PRESSURE							G/A DIMENSION. MM			
	1/4"	3/4"	1"	1 1/4"	2"		PRESSURE [BAR]										
MODEL NO.	BSP	BSP	BSP	BSP	BSP		0.5	1.0	2.0	3.0	5.0	7.0	10.0	CONN.	H	H1	HEX
CB18.050	●					0.8	0.25	0.35	0.50	0.61	0.79	0.94	1.12	1/4"	13	8	17
CB18.075	●					1.0	0.37	0.53	0.75	0.92	1.19	1.40	1.68	1/4" Weight (Metals) = 12 gms. Approx			
CB18.100	●					1.2	0.50	0.71	1.00	1.22	1.58	1.87	2.24	3/4"	15	9	32
CB18.150	●					1.5	0.75	1.06	1.50	1.84	2.37	2.81	3.35	3/4" Weight (Metals) = 53 gms. Approx			
CB18.175	●					1.6	0.87	1.24	1.75	2.14	2.77	3.27	3.91	1"	20	12	36
CB18.200	●					1.7	1.00	1.41	2.00	2.45	3.16	3.74	4.47	1" Weight (Metals) = 107 gms. Approx			
CB18.250	●					1.9	1.25	1.77	2.50	3.06	3.95	4.68	5.59	1 1/4"	22	14	50
CB18.300	●					2.1	1.50	2.12	3.00	3.67	4.74	5.61	6.71	1 1/4" Weight (Metals) = XX gms. Approx			
CB18.350	●					2.3	1.75	2.47	3.50	4.29	5.53	6.55	7.83	2"	32	20	70
CB18.400	●					2.4	2.00	2.83	4.00	4.90	6.32	7.48	8.94	2" Weight (Metals) = XXX gms. Approx			
CB18.475	●					2.7	2.37	3.36	4.75	5.82	7.51	8.89	10.62				
CB18.650	●					3.1	3.25	4.60	6.50	7.96	10.28	12.16	14.53				
CB18.800	●					3.5	4.00	5.66	8.00	9.80	12.65	14.97	17.89				
CB28.100	●					3.9	5.00	7.07	10.00	12.25	15.81	18.71	22.36				
CB28.125	●					4.3	6.25	8.84	12.50	15.31	19.76	23.39	27.95				
CB28.160	●					4.9	8.00	11.31	16.00	19.60	25.30	29.93	35.78				
CB28.180		●				5.2	9.00	12.73	18.00	22.05	28.46	33.67	40.25				
CB28.200		●				5.5	10.00	14.14	20.00	24.49	31.62	37.42	44.72				
CB28.225		●				5.8	11.25	15.91	22.50	27.56	35.58	42.09	50.31				
CB28.250		●				6.1	12.50	17.68	25.00	30.62	39.53	46.77	55.90				
CB28.320		●				6.4	16.00	22.63	32.00	39.19	50.60	59.87	71.55				
CB28.400		●				7.8	20.00	28.28	40.00	48.99	63.25	74.83	89.44				
CB28.520		●	●	●		8.9	26.00	36.77	52.00	63.69	82.22	97.28	116.28				
CB28.650		●	●	●		9.9	32.50	45.96	65.00	79.61	102.77	121.60	145.34				
CB28.800		●	●	●		11.0	40.00	56.57	80.00	97.98	126.49	149.67	178.89				
CB38.100		●	●	●		11.3	50.00	70.71	100.0	122.4	158.1	187.0	223.6				
CB38.140				●		12.6	70.00	89.09	140.0	171.46	221.36	261.92	313.92				
CB38.160				●	●	14.3	80.00	113.14	160.0	195.96	252.98	299.33	357.77				
CB38.175				●		14.9	87.50	123.74	175.0	214.33	276.70	327.40	391.31				
CB38.200				●		16.0	100.0	141.42	200.0	244.95	316.23	374.17	447.21				
CB38.250				●		17.8	125.0	176.78	250.0	306.19	395.28	467.71	559.02				
CB38.325				●		20.3	162.5	229.81	325.0	398.04	513.87	608.02	726.72				
CB38.430				●		23.4	215.0	304.06	430.0	526.64	679.89	804.46	961.51				

CC Series Flat Spray Nozzles

CC

Versatile program offering a wide range of performance and stable jet angles, easy adjusting of jet by means of loosening the nut stable jet angles headers, equipped with these nozzles, show a highly uniform total distribution of liquids, even at different installation heights and centers universally suitable.



Application :

Jet cleaning, surface treatment, filter cleaning, band cleaning, lubricating, coating.

Flat nozzle tips are usually mounted onto a pipe by means of a welded nipple or a clamp, and secured in place with a retaining nut. Seals are available for higher pressure operation. They can be therefore easily replaced and the jet can be conveniently oriented in the desired direction.

The tip models shown in this page deliver very low flow values, the precision machined tiny orifices can be protected against the risk of plugging by means of a filter fitting inside our nipples and clamps which are designed for this purpose.

15° SPRAY ANGLE	ORIFICE SIZE (mm)	FLOW CAPACITY IN LPM AT DIFFERENT PRESSURE							G/A DIMENSION. MM		
		PRESSURE [BAR]									
MODEL NO.		0.5	1.0	2.0	3.0	5.0	7.0	10.0	H	H1	D
CC11.050	0.8	0.25	0.35	0.50	0.61	0.79	0.94	1.12	11	9	14.8
CC11.075	1.0	0.37	0.53	0.75	0.92	1.19	1.40	1.68	Weight (Metals) = 9.0 gms. Approx		
CC11.100	1.2	0.50	0.71	1.00	1.22	1.58	1.87	2.24			
CC11.150	1.5	0.75	1.06	1.50	1.84	2.37	2.81	3.35			
CC11.175	1.6	0.87	1.24	1.75	2.14	2.77	3.27	3.91			
CC11.200	1.7	1.00	1.41	2.00	2.45	3.16	3.74	4.47			
CC11.250	1.9	1.25	1.77	2.50	3.06	3.95	4.68	5.59			
CC11.300	2.1	1.50	2.12	3.00	3.67	4.74	5.61	6.71			
CC11.350	2.3	1.75	2.47	3.50	4.29	5.53	6.55	7.83			
CC11.400	2.4	2.00	2.83	4.00	4.90	6.32	7.48	8.94			
CC11.475	2.7	2.37	3.36	4.75	5.82	7.51	8.89	10.62			
CC11.650	3.1	3.25	4.60	6.50	7.96	10.28	12.16	14.53			
CC11.800	3.5	4.00	5.66	8.00	9.80	12.65	14.97	17.89			
CC21.100	3.9	5.00	7.07	10.00	12.25	15.81	18.71	22.36			
CC21.125	4.3	6.25	8.84	12.50	15.31	19.76	23.39	27.95			
CC21.160	4.9	8.00	11.31	16.00	19.60	25.30	29.93	35.78			
CC21.180	5.2	9.00	12.73	18.00	22.05	28.46	33.67	40.25			
CC21.200	5.5	10.00	14.14	20.00	24.49	31.62	37.42	44.72			
CC21.225	5.8	11.25	15.91	22.50	27.56	35.58	42.09	50.31			
CC21.250	6.1	12.50	17.68	25.00	30.62	39.53	46.77	55.90			

CC Series Flat Spray Nozzles

30° SPRAY ANGLE	ORIFICE SIZE (mm)	FLOW CAPACITY IN LPM AT DIFFERENT PRESSURE							G/A DIMENSION. MM		
MODEL NO.		PRESSURE [BAR]									
		0.5	1.0	2.0	3.0	5.0	7.0	10.0	H	H1	D
CC12.050	0.8	0.25	0.35	0.50	0.61	0.79	0.94	1.12	11	9	14.8
CC12.075	1.0	0.37	0.53	0.75	0.92	1.19	1.40	1.68	Weight (Metals) = 9.0 gms. Approx		
CC12.100	1.2	0.50	0.71	1.00	1.22	1.58	1.87	2.24			
CC12.150	1.5	0.75	1.06	1.50	1.84	2.37	2.81	3.35			
CC12.175	1.6	0.87	1.24	1.75	2.14	2.77	3.27	3.91			
CC12.200	1.7	1.00	1.41	2.00	2.45	3.16	3.74	4.47			
CC12.250	1.9	1.25	1.77	2.50	3.06	3.95	4.68	5.59			
CC12.300	2.1	1.50	2.12	3.00	3.67	4.74	5.61	6.71			
CC12.350	2.3	1.75	2.47	3.50	4.29	5.53	6.55	7.83			
CC12.400	2.4	2.00	2.83	4.00	4.90	6.32	7.48	8.94			
CC12.475	2.7	2.37	3.36	4.75	5.82	7.51	8.89	10.62			
CC12.650	3.1	3.25	4.60	6.50	7.96	10.28	12.16	14.53			
CC12.800	3.5	4.00	5.66	8.00	9.80	12.65	14.97	17.89			
CC22.100	3.9	5.00	7.07	10.00	12.25	15.81	18.71	22.36			
CC22.125	4.3	6.25	8.84	12.50	15.31	19.76	23.39	27.95			
CC22.160	4.9	8.00	11.31	16.00	19.60	25.30	29.93	35.78			
CC22.180	5.2	9.00	12.73	18.00	22.05	28.46	33.67	40.25			
CC22.200	5.5	10.00	14.14	20.00	24.49	31.62	37.42	44.72			
CC22.225	5.8	11.25	15.91	22.50	27.56	35.58	42.09	50.31			
CC22.250	6.1	12.50	17.68	25.00	30.62	39.53	46.77	55.90			

45° SPRAY ANGLE	ORIFICE SIZE (mm)	FLOW CAPACITY IN LPM AT DIFFERENT PRESSURE							G/A DIMENSION. MM		
MODEL NO.		PRESSURE [BAR]									
		0.5	1.0	2.0	3.0	5.0	7.0	10.0	H	H1	D
CC13.050	0.8	0.25	0.35	0.50	0.61	0.79	0.94	1.12	11	9	14.8
CC13.075	1.0	0.37	0.53	0.75	0.92	1.19	1.40	1.68	Weight (Metals) = 9.0 gms. Approx		
CC13.100	1.2	0.50	0.71	1.00	1.22	1.58	1.87	2.24			
CC13.150	1.5	0.75	1.06	1.50	1.84	2.37	2.81	3.35			
CC13.175	1.6	0.87	1.24	1.75	2.14	2.77	3.27	3.91			
CC13.200	1.7	1.00	1.41	2.00	2.45	3.16	3.74	4.47			
CC13.250	1.9	1.25	1.77	2.50	3.06	3.95	4.68	5.59			
CC13.300	2.1	1.50	2.12	3.00	3.67	4.74	5.61	6.71			
CC13.350	2.3	1.75	2.47	3.50	4.29	5.53	6.55	7.83			
CC13.400	2.4	2.00	2.83	4.00	4.90	6.32	7.48	8.94			
CC13.475	2.7	2.37	3.36	4.75	5.82	7.51	8.89	10.62			
CC13.650	3.1	3.25	4.60	6.50	7.96	10.28	12.16	14.53			
CC13.800	3.5	4.00	5.66	8.00	9.80	12.65	14.97	17.89			
CC23.100	3.9	5.00	7.07	10.00	12.25	15.81	18.71	22.36			
CC23.125	4.3	6.25	8.84	12.50	15.31	19.76	23.39	27.95			
CC23.160	4.9	8.00	11.31	16.00	19.60	25.30	29.93	35.78			
CC23.180	5.2	9.00	12.73	18.00	22.05	28.46	33.67	40.25			
CC23.200	5.5	10.00	14.14	20.00	24.49	31.62	37.42	44.72			
CC23.225	5.8	11.25	15.91	22.50	27.56	35.58	42.09	50.31			
CC23.250	6.1	12.50	17.68	25.00	30.62	39.53	46.77	55.90			

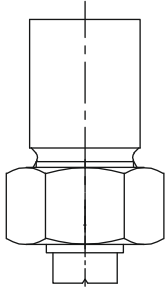
CC Series Flat Spray Nozzles

60° SPRAY ANGLE	ORIFICE SIZE (mm)	FLOW CAPACITY IN LPM AT DIFFERENT PRESSURE							G/A DIMENSION. MM		
MODEL NO.		PRESSURE [BAR]									
		0.5	1.0	2.0	3.0	5.0	7.0	10.0	H	H1	D
CC14.050	0.8	0.25	0.35	0.50	0.61	0.79	0.94	1.12	11	9	14.8
CC14.075	1.0	0.37	0.53	0.75	0.92	1.19	1.40	1.68	Weight (Metals) = 9.0 gms. Approx		
CC14.100	1.2	0.50	0.71	1.00	1.22	1.58	1.87	2.24			
CC14.150	1.5	0.75	1.06	1.50	1.84	2.37	2.81	3.35			
CC14.175	1.6	0.87	1.24	1.75	2.14	2.77	3.27	3.91			
CC14.200	1.7	1.00	1.41	2.00	2.45	3.16	3.74	4.47			
CC14.250	1.9	1.25	1.77	2.50	3.06	3.95	4.68	5.59			
CC14.300	2.1	1.50	2.12	3.00	3.67	4.74	5.61	6.71			
CC14.350	2.3	1.75	2.47	3.50	4.29	5.53	6.55	7.83			
CC14.400	2.4	2.00	2.83	4.00	4.90	6.32	7.48	8.94			
CC14.475	2.7	2.37	3.36	4.75	5.82	7.51	8.89	10.62			
CC14.650	3.1	3.25	4.60	6.50	7.96	10.28	12.16	14.53			
CC14.800	3.5	4.00	5.66	8.00	9.80	12.65	14.97	17.89			
CC24.100	3.9	5.00	7.07	10.00	12.25	15.81	18.71	22.36			
CC24.125	4.3	6.25	8.84	12.50	15.31	19.76	23.39	27.95			
CC24.160	4.9	8.00	11.31	16.00	19.60	25.30	29.93	35.78			
CC24.180	5.2	9.00	12.73	18.00	22.05	28.46	33.67	40.25			
CC24.200	5.5	10.00	14.14	20.00	24.49	31.62	37.42	44.72			
CC24.225	5.8	11.25	15.91	22.50	27.56	35.58	42.09	50.31			
CC24.250	6.1	12.50	17.68	25.00	30.62	39.53	46.77	55.90			

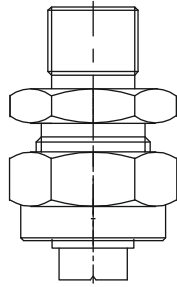
90° SPRAY ANGLE	ORIFICE SIZE (mm)	FLOW CAPACITY IN LPM AT DIFFERENT PRESSURE							G/A DIMENSION. MM		
MODEL NO.		PRESSURE [BAR]									
		0.5	1.0	2.0	3.0	5.0	7.0	10.0	H	H1	D
CC16.050	0.8	0.25	0.35	0.50	0.61	0.79	0.94	1.12	11	9	14.8
CC16.075	1.0	0.37	0.53	0.75	0.92	1.19	1.40	1.68	Weight (Metals) = 9.0 gms. Approx		
CC16.100	1.2	0.50	0.71	1.00	1.22	1.58	1.87	2.24			
CC16.150	1.5	0.75	1.06	1.50	1.84	2.37	2.81	3.35			
CC16.175	1.6	0.87	1.24	1.75	2.14	2.77	3.27	3.91			
CC16.200	1.7	1.00	1.41	2.00	2.45	3.16	3.74	4.47			
CC16.250	1.9	1.25	1.77	2.50	3.06	3.95	4.68	5.59			
CC16.300	2.1	1.50	2.12	3.00	3.67	4.74	5.61	6.71			
CC16.350	2.3	1.75	2.47	3.50	4.29	5.53	6.55	7.83			
CC16.400	2.4	2.00	2.83	4.00	4.90	6.32	7.48	8.94			
CC16.475	2.7	2.37	3.36	4.75	5.82	7.51	8.89	10.62			
CC16.650	3.1	3.25	4.60	6.50	7.96	10.28	12.16	14.53			
CC16.800	3.5	4.00	5.66	8.00	9.80	12.65	14.97	17.89			
CC26.100	3.9	5.00	7.07	10.00	12.25	15.81	18.71	22.36			
CC26.125	4.3	6.25	8.84	12.50	15.31	19.76	23.39	27.95			
CC26.160	4.9	8.00	11.31	16.00	19.60	25.30	29.93	35.78			
CC26.180	5.2	9.00	12.73	18.00	22.05	28.46	33.67	40.25			
CC26.200	5.5	10.00	14.14	20.00	24.49	31.62	37.42	44.72			
CC26.225	5.8	11.25	15.91	22.50	27.56	35.58	42.09	50.31			
CC26.250	6.1	12.50	17.68	25.00	30.62	39.53	46.77	55.90			

CC Series Flat Spray Nozzles

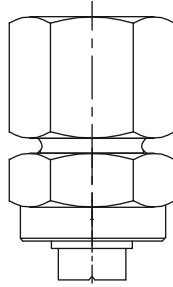
Type of Fitting Arrangements



Weldable



Threaded (M)



Threaded (F)

Typical application :

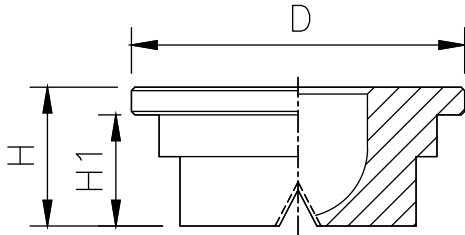
- Spray Coating
- Lubricating
- Metal Processing
- Spray Cooling
- Parts Washing



120° SPRAY ANGLE	ORIFICE SIZE (mm)	FLOW CAPACITY IN LPM AT DIFFERENT PRESSURE								G/A DIMENSION. MM		
		PRESSURE [BAR]										
MODEL NO.		0.5	1.0	2.0	3.0	5.0	7.0	10.0	H	H1	D	
CC18.050	0.8	0.25	0.35	0.50	0.61	0.79	0.94	1.12	11	9	14.8	
CC18.075	1.0	0.37	0.53	0.75	0.92	1.19	1.40	1.68	Weight (Metals) = 9.0 gms. Approx			
CC18.100	1.2	0.50	0.71	1.00	1.22	1.58	1.87	2.24				
CC18.150	1.5	0.75	1.06	1.50	1.84	2.37	2.81	3.35				
CC18.175	1.6	0.87	1.24	1.75	2.14	2.77	3.27	3.91				
CC18.200	1.7	1.00	1.41	2.00	2.45	3.16	3.74	4.47				
CC18.250	1.9	1.25	1.77	2.50	3.06	3.95	4.68	5.59				
CC18.300	2.1	1.50	2.12	3.00	3.67	4.74	5.61	6.71				
CC18.350	2.3	1.75	2.47	3.50	4.29	5.53	6.55	7.83				
CC18.400	2.4	2.00	2.83	4.00	4.90	6.32	7.48	8.94				
CC18.475	2.7	2.37	3.36	4.75	5.82	7.51	8.89	10.62				
CC18.650	3.1	3.25	4.60	6.50	7.96	10.28	12.16	14.53				
CC18.800	3.5	4.00	5.66	8.00	9.80	12.65	14.97	17.89				
CC28.100	3.9	5.00	7.07	10.00	12.25	15.81	18.71	22.36				
CC28.125	4.3	6.25	8.84	12.50	15.31	19.76	23.39	27.95				
CC28.160	4.9	8.00	11.31	16.00	19.60	25.30	29.93	35.78				
CC28.180	5.2	9.00	12.73	18.00	22.05	28.46	33.67	40.25				
CC28.200	5.5	10.00	14.14	20.00	24.49	31.62	37.42	44.72				
CC28.225	5.8	11.25	15.91	22.50	27.56	35.58	42.09	50.31				
CC28.250	6.1	12.50	17.68	25.00	30.62	39.53	46.77	55.90				

CD Series Flat Spray Nozzles

CD



Headers, Equipped with these nozzles, Show a highly uniform total distribution of liquids even at different installation heights and centers.

Application

Cleaning plants, Spray headers cooling pipes roll products. Connection to pipe by means of nut and nipple.

MODEL NO.	ORIFICE SIZE (mm)	FLOW CAPACITY IN LPM AT DIFFERENT PRESSURE								G/A DIMENSION. MM			
		SPRAY ANGLE	PRESSURE [BAR]								H	H1	D
			0.5	1.0	2.0	3.0	5.0	7.0	10.0				
CD11.650	3.1	15°	3.25	4.60	6.50	7.96	10.28	12.16	14.53	10	8	24	
CD11.800	3.5		4.00	5.66	8.00	9.80	12.65	14.97	17.89	Weight (Metals) = 12 gms. Approx			
CD21.100	3.9		5.00	7.07	10.00	12.25	15.81	18.71	22.36				
CD21.125	4.3		6.25	8.84	12.50	15.31	19.76	23.39	27.95				
CD21.160	4.9		8.00	11.31	16.00	19.60	25.30	29.93	35.78				
CD21.180	2.1		9.00	12.73	18.00	22.05	28.46	33.67	40.25				
CD21.200	5.5		10.00	14.14	20.00	24.49	31.62	37.42	44.72				
CD21.225	5.8		11.25	15.91	22.50	27.56	35.58	42.09	50.31				
CD21.250	6.1		12.50	17.68	25.00	30.62	39.53	46.77	55.90				
CD21.320	6.4		16.00	22.63	32.00	39.19	50.60	59.87	71.55				
CD21.400	7.8		20.00	28.28	40.00	48.99	63.25	74.83	89.44				
CD21.520	8.9		26.00	36.77	52.00	63.69	82.22	97.28	116.28				
CD21.650	9.9		32.50	45.96	65.00	79.61	102.77	121.60	145.34				
CD21.800	11.0		40.00	56.57	80.00	97.98	126.49	149.67	178.89				
CD31.100	11.3		50.00	70.71	100.0	122.4	158.1	187.0	223.6				
CD12.650	3.1		30°	3.25	4.60	6.50	7.96	10.28	12.16	14.53	10	8	24
CD12.800	3.5	4.00		5.66	8.00	9.80	12.65	14.97	17.89	Weight (Metals) = 12 gms. Approx			
CD22.100	3.9	5.00		7.07	10.00	12.25	15.81	18.71	22.36				
CD22.125	4.3	6.25		8.84	12.50	15.31	19.76	23.39	27.95				
CD22.160	4.9	8.00		11.31	16.00	19.60	25.30	29.93	35.78				
CD22.180	5.2	9.00		12.73	18.00	22.05	28.46	33.67	40.25				
CD22.200	5.5	10.00		14.14	20.00	24.49	31.62	37.42	44.72				
CD22.225	5.8	11.25		15.91	22.50	27.56	35.58	42.09	50.31				
CD22.250	6.1	12.50		17.68	25.00	30.62	39.53	46.77	55.90				
CD22.320	6.4	16.00		22.63	32.00	39.19	50.60	59.87	71.55				
CD22.400	7.8	20.00		28.28	40.00	48.99	63.25	74.83	89.44				
CD22.520	8.9	26.00		36.77	52.00	63.69	82.22	97.28	116.28				
CD22.650	9.9	32.50		45.96	65.00	79.61	102.77	121.60	145.34				
CD22.800	11.0	40.00		56.57	80.00	97.98	126.49	149.67	178.89				
CD32.100	11.3	50.00		70.71	100.0	122.4	158.1	187.0	223.6				

CD Series Flat Spray Nozzles

										0.5	1.0	2.0	3.0	5.0	7.0	10.0	H	H1	D
CD13.650	3.1	45°	3.25	4.60	6.50	7.96	10.28	12.16	14.53	10	8	24	Weight (Metals) = 12 gms. Approx						
CD13.800	3.5		4.00	5.66	8.00	9.80	12.65	14.97	17.89										
CD23.100	3.9		5.00	7.07	10.00	12.25	15.81	18.71	22.36										
CD23.125	4.3		6.25	8.84	12.50	15.31	19.76	23.39	27.95										
CD23.160	4.9		8.00	11.31	16.00	19.60	25.30	29.93	35.78										
CD23.180	2.1		9.00	12.73	18.00	22.05	28.46	33.67	40.25										
CD23.200	5.5		10.00	14.14	20.00	24.49	31.62	37.42	44.72										
CD23.225	5.8		11.25	15.91	22.50	27.56	35.58	42.09	50.31										
CD23.250	6.1		12.50	17.68	25.00	30.62	39.53	46.77	55.90										
CD23.320	6.4		16.00	22.63	32.00	39.19	50.60	59.87	71.55										
CD23.400	7.8		20.00	28.28	40.00	48.99	63.25	74.83	89.44										
CD23.520	8.9		26.00	36.77	52.00	63.69	82.22	97.28	116.28										
CD23.650	9.9		32.50	45.96	65.00	79.61	102.77	121.60	145.34										
CD23.800	11.0		40.00	56.57	80.00	97.98	126.49	149.67	178.89										
CD33.100	11.3	50.00	70.71	100.0	122.4	158.1	187.0	223.6											
CD14.650	3.1	60°	3.25	4.60	6.50	7.96	10.28	12.16	14.53	10	8	24	Weight (Metals) = 11 gms. Approx						
CD14.800	3.5		4.00	5.66	8.00	9.80	12.65	14.97	17.89										
CD24.100	3.9		5.00	7.07	10.00	12.25	15.81	18.71	22.36										
CD24.125	4.3		6.25	8.84	12.50	15.31	19.76	23.39	27.95										
CD24.160	4.9		8.00	11.31	16.00	19.60	25.30	29.93	35.78										
CD24.180	5.2		9.00	12.73	18.00	22.05	28.46	33.67	40.25										
CD24.200	5.5		10.00	14.14	20.00	24.49	31.62	37.42	44.72										
CD24.225	5.8		11.25	15.91	22.50	27.56	35.58	42.09	50.31										
CD24.250	6.1		12.50	17.68	25.00	30.62	39.53	46.77	55.90										
CD24.320	6.4		16.00	22.63	32.00	39.19	50.60	59.87	71.55										
CD24.400	7.8		20.00	28.28	40.00	48.99	63.25	74.83	89.44										
CD24.520	8.9		26.00	36.77	52.00	63.69	82.22	97.28	116.28										
CD24.650	9.9		32.50	45.96	65.00	79.61	102.77	121.60	145.34										
CD24.800	11.0		40.00	56.57	80.00	97.98	126.49	149.67	178.89										
CD34.100	11.3	50.00	70.71	100.0	122.4	158.1	187.0	223.6											
CD16.650	3.1	90°	3.25	4.60	6.50	7.96	10.28	12.16	14.53	10	8	24	Weight (Metals) = 8.5 gms. Approx						
CD16.800	3.5		4.00	5.66	8.00	9.80	12.65	14.97	17.89										
CD26.100	3.9		5.00	7.07	10.00	12.25	15.81	18.71	22.36										
CD26.125	4.3		6.25	8.84	12.50	15.31	19.76	23.39	27.95										
CD26.160	4.9		8.00	11.31	16.00	19.60	25.30	29.93	35.78										
CD26.180	5.2		9.00	12.73	18.00	22.05	28.46	33.67	40.25										
CD26.200	5.5		10.00	14.14	20.00	24.49	31.62	37.42	44.72										
CD26.225	5.8		11.25	15.91	22.50	27.56	35.58	42.09	50.31										
CD26.250	6.1		12.50	17.68	25.00	30.62	39.53	46.77	55.90										
CD26.320	6.4		16.00	22.63	32.00	39.19	50.60	59.87	71.55										
CD26.400	7.8		20.00	28.28	40.00	48.99	63.25	74.83	89.44										
CD26.520	8.9		26.00	36.77	52.00	63.69	82.22	97.28	116.28										
CD26.650	9.9		32.50	45.96	65.00	79.61	102.77	121.60	145.34										
CD26.800	11.0		40.00	56.57	80.00	97.98	126.49	149.67	178.89										
CD36.100	11.3	50.00	70.71	100.0	122.4	158.1	187.0	223.6											
CD18.650	3.1	120°	3.25	4.60	6.50	7.96	10.28	12.16	14.53	10	8	24	Weight (Metals) = 8.5 gms. Approx						
CD18.800	3.5		4.00	5.66	8.00	9.80	12.65	14.97	17.89										
CD28.100	3.9		5.00	7.07	10.00	12.25	15.81	18.71	22.36										
CD28.125	4.3		6.25	8.84	12.50	15.31	19.76	23.39	27.95										
CD28.160	4.9		8.00	11.31	16.00	19.60	25.30	29.93	35.78										
CD28.180	5.2		9.00	12.73	18.00	22.05	28.46	33.67	40.25										
CD28.200	5.5		10.00	14.14	20.00	24.49	31.62	37.42	44.72										
CD28.225	5.8		11.25	15.91	22.50	27.56	35.58	42.09	50.31										
CD28.250	6.1		12.50	17.68	25.00	30.62	39.53	46.77	55.90										
CD28.320	6.4		16.00	22.63	32.00	39.19	50.60	59.87	71.55										
CD28.400	7.8		20.00	28.28	40.00	48.99	63.25	74.83	89.44										
CD28.520	8.9		26.00	36.77	52.00	63.69	82.22	97.28	116.28										
CD28.650	9.9		32.50	45.96	65.00	79.61	102.77	121.60	145.34										
CD28.800	11.0		40.00	56.57	80.00	97.98	126.49	149.67	178.89										
CD38.100	11.3	50.00	70.71	100.0	122.4	158.1	187.0	223.6											

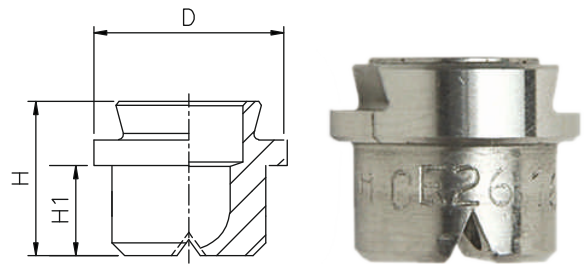
CE Series Flat Spray Nozzles - Dove Tail Type



Very uniform, parabolic distribution of liquid. Rectangular distribution pattern on request. Headers, equipped with these nozzles, show a highly uniform total distribution installation heights and centers.

Application :

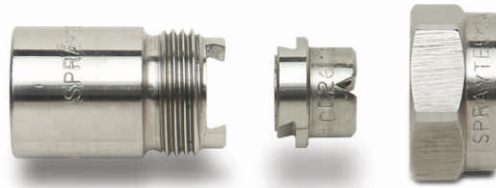
Cleaning plants, spray headers, cooling pipes, connection to pipe by means of screwed nut and nipple. The ideal nozzle position is always secured with the aid of the dove- tail fixing. The flat is pre-set at 5° to the tube axis.



15° SPRAY ANGLE		FLOW CAPACITY IN LPM AT DIFFERENT PRESSURE								G/A DIMENSION. MM		
MODEL NO.	ORIFICE SIZE (mm)	PRESSURE [BAR]								H	H1	D
		0.5	1.0	2.0	3.0	5.0	7.0	10.0				
CE11.050	0.8	0.25	0.35	0.50	0.61	0.79	0.94	1.12	12	7	14.8	
CE11.075	1.0	0.37	0.53	0.75	0.92	1.19	1.40	1.68	Weight (Metals) = 8.5 gms. Approx			
CE11.100	1.2	0.50	0.71	1.00	1.22	1.58	1.87	2.24				
CE11.150	1.5	0.75	1.06	1.50	1.84	2.37	2.81	3.35				
CE11.175	1.6	0.87	1.24	1.75	2.14	2.77	3.27	3.91				
CE11.200	1.7	1.00	1.41	2.00	2.45	3.16	3.74	4.47				
CE11.250	1.9	1.25	1.77	2.50	3.06	3.95	4.68	5.59				
CE11.300	2.1	1.50	2.12	3.00	3.67	4.74	5.61	6.71				
CE11.350	2.3	1.75	2.47	3.50	4.29	5.53	6.55	7.83				
CE11.400	2.4	2.00	2.83	4.00	4.90	6.32	7.48	8.94				
CE11.475	2.7	2.37	3.36	4.75	5.82	7.51	8.89	10.62				
CE11.650	3.1	3.25	4.60	6.50	7.96	10.28	12.16	14.53				
CE11.800	3.5	4.00	5.66	8.00	9.80	12.65	14.97	17.89				
CE21.100	3.9	5.00	7.07	10.00	12.25	15.81	18.71	22.36				
CE21.125	4.3	6.25	8.84	12.50	15.31	19.76	23.39	27.95				
CE21.160	4.9	8.00	11.31	16.00	19.60	25.30	29.93	35.78				

30° SPRAY ANGLE		FLOW CAPACITY IN LPM AT DIFFERENT PRESSURE								G/A DIMENSION. MM		
MODEL NO.	ORIFICE SIZE (mm)	PRESSURE [BAR]								H	H1	D
		0.5	1.0	2.0	3.0	5.0	7.0	10.0				
CE12.050	0.8	0.25	0.35	0.50	0.61	0.79	0.94	1.12	12	7	14.8	
CE12.075	1.0	0.37	0.53	0.75	0.92	1.19	1.40	1.68	Weight (Metals) = 8.5 gms. Approx			
CE12.100	1.2	0.50	0.71	1.00	1.22	1.58	1.87	2.24				
CE12.150	1.5	0.75	1.06	1.50	1.84	2.37	2.81	3.35				
CE12.175	1.6	0.87	1.24	1.75	2.14	2.77	3.27	3.91				
CE12.200	1.7	1.00	1.41	2.00	2.45	3.16	3.74	4.47				
CE12.250	1.9	1.25	1.77	2.50	3.06	3.95	4.68	5.59				
CE12.300	2.1	1.50	2.12	3.00	3.67	4.74	5.61	6.71				
CE12.350	2.3	1.75	2.47	3.50	4.29	5.53	6.55	7.83				
CE12.400	2.4	2.00	2.83	4.00	4.90	6.32	7.48	8.94				
CE12.475	2.7	2.37	3.36	4.75	5.82	7.51	8.89	10.62				
CE12.650	3.1	3.25	4.60	6.50	7.96	10.28	12.16	14.53				
CE12.800	3.5	4.00	5.66	8.00	9.80	12.65	14.97	17.89				
CE22.100	3.9	5.00	7.07	10.00	12.25	15.81	18.71	22.36				
CE22.125	4.3	6.25	8.84	12.50	15.31	19.76	23.39	27.95				
CE22.160	4.9	8.00	11.31	16.00	19.60	25.30	29.93	35.78				

CE Series Flat Spray Nozzles - Dove Tail Type



45° SPRAY ANGLE	MODEL NO.	ORIFICE SIZE (mm)	FLOW CAPACITY IN LPM AT DIFFERENT PRESSURE							G/A DIMENSION. MM		
			PRESSURE [BAR]									
			0.5	1.0	2.0	3.0	5.0	7.0	10.0	H	H1	D
	CE13.050	0.8	0.25	0.35	0.50	0.61	0.79	0.94	1.12	12	7	14.8
	CE13.075	1.0	0.37	0.53	0.75	0.92	1.19	1.40	1.68	Weight (Metals) = 8.5 gms. Approx		
	CE13.100	1.2	0.50	0.71	1.00	1.22	1.58	1.87	2.24			
	CE13.150	1.5	0.75	1.06	1.50	1.84	2.37	2.81	3.35			
	CE13.175	1.6	0.87	1.24	1.75	2.14	2.77	3.27	3.91			
	CE13.200	1.7	1.00	1.41	2.00	2.45	3.16	3.74	4.47			
	CE13.250	1.9	1.25	1.77	2.50	3.06	3.95	4.68	5.59			
	CE13.300	2.1	1.50	2.12	3.00	3.67	4.74	5.61	6.71			
	CE13.350	2.3	1.75	2.47	3.50	4.29	5.53	6.55	7.83			
	CE13.400	2.4	2.00	2.83	4.00	4.90	6.32	7.48	8.94			
	CE13.475	2.7	2.37	3.36	4.75	5.82	7.51	8.89	10.62			
	CE13.650	3.1	3.25	4.60	6.50	7.96	10.28	12.16	14.53			
	CE13.800	3.5	4.00	5.66	8.00	9.80	12.65	14.97	17.89			
	CE23.100	3.9	5.00	7.07	10.00	12.25	15.81	18.71	22.36			
	CE23.125	4.3	6.25	8.84	12.50	15.31	19.76	23.39	27.95			
	CE23.160	4.9	8.00	11.31	16.00	19.60	25.30	29.93	35.78			

60° SPRAY ANGLE	MODEL NO.	ORIFICE SIZE (mm)	FLOW CAPACITY IN LPM AT DIFFERENT PRESSURE							G/A DIMENSION. MM		
			PRESSURE [BAR]									
			0.5	1.0	2.0	3.0	5.0	7.0	10.0	H	H1	D
	CE14.050	0.8	0.25	0.35	0.50	0.61	0.79	0.94	1.12	12	7	14.8
	CE14.075	1.0	0.37	0.53	0.75	0.92	1.19	1.40	1.68	Weight (Metals) = 8.5 gms. Approx		
	CE14.100	1.2	0.50	0.71	1.00	1.22	1.58	1.87	2.24			
	CE14.150	1.5	0.75	1.06	1.50	1.84	2.37	2.81	3.35			
	CE14.175	1.6	0.87	1.24	1.75	2.14	2.77	3.27	3.91			
	CE14.200	1.7	1.00	1.41	2.00	2.45	3.16	3.74	4.47			
	CE14.250	1.9	1.25	1.77	2.50	3.06	3.95	4.68	5.59			
	CE14.300	2.1	1.50	2.12	3.00	3.67	4.74	5.61	6.71			
	CE14.350	2.3	1.75	2.47	3.50	4.29	5.53	6.55	7.83			
	CE14.400	2.4	2.00	2.83	4.00	4.90	6.32	7.48	8.94			
	CE14.475	2.7	2.37	3.36	4.75	5.82	7.51	8.89	10.62			
	CE14.650	3.1	3.25	4.60	6.50	7.96	10.28	12.16	14.53			
	CE14.800	3.5	4.00	5.66	8.00	9.80	12.65	14.97	17.89			
	CE24.100	3.9	5.00	7.07	10.00	12.25	15.81	18.71	22.36			
	CE24.125	4.3	6.25	8.84	12.50	15.31	19.76	23.39	27.95			
	CE24.160	4.9	8.00	11.31	16.00	19.60	25.30	29.93	35.78			

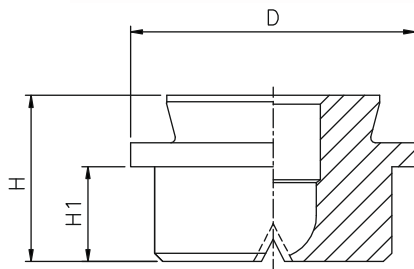
CE Series Flat Spray Nozzles - Dove Tail Type

90° Spray Angle	ORIFICE SIZE (mm)	FLOW CAPACITY IN LPM AT DIFFERENT PRESSURE							G/A DIMENSION. MM		
Model No.		PRESSURE [BAR]									
		0.5	1.0	2.0	3.0	5.0	7.0	10.0	H	H1	D
CE16.050	0.8	0.25	0.35	0.50	0.61	0.79	0.94	1.12	12	7	14.8
CE16.075	1.0	0.37	0.53	0.75	0.92	1.19	1.40	1.68	Weight (Metals) = 8.5 gms. Approx		
CE16.100	1.2	0.50	0.71	1.00	1.22	1.58	1.87	2.24			
CE16.150	1.5	0.75	1.06	1.50	1.84	2.37	2.81	3.35			
CE16.175	1.6	0.87	1.24	1.75	2.14	2.77	3.27	3.91			
CE16.200	1.7	1.00	1.41	2.00	2.45	3.16	3.74	4.47			
CE16.250	1.9	1.25	1.77	2.50	3.06	3.95	4.68	5.59			
CE16.300	2.1	1.50	2.12	3.00	3.67	4.74	5.61	6.71			
CE16.350	2.3	1.75	2.47	3.50	4.29	5.53	6.55	7.83			
CE16.400	2.4	2.00	2.83	4.00	4.90	6.32	7.48	8.94			
CE16.475	2.7	2.37	3.36	4.75	5.82	7.51	8.89	10.62			
CE16.650	3.1	3.25	4.60	6.50	7.96	10.28	12.16	14.53			
CE16.800	3.5	4.00	5.66	8.00	9.80	12.65	14.97	17.89			
CE26.100	3.9	5.00	7.07	10.00	12.25	15.81	18.71	22.36			
CE26.125	4.3	6.25	8.84	12.50	15.31	19.76	23.39	27.95			
CE26.160	4.9	8.00	11.31	16.00	19.60	25.30	29.93	35.78			

120° SPRAY ANGLE	ORIFICE SIZE (mm)	FLOW CAPACITY IN LPM AT DIFFERENT PRESSURE							G/A DIMENSION. MM		
MODEL NO.		PRESSURE [BAR]									
		0.5	1.0	2.0	3.0	5.0	7.0	10.0	H	H1	D
CE18.050	0.8	0.25	0.35	0.50	0.61	0.79	0.94	1.12	12	7	14.8
CE18.075	1.0	0.37	0.53	0.75	0.92	1.19	1.40	1.68	Weight (Metals) = 8.5 gms. Approx		
CE18.100	1.2	0.50	0.71	1.00	1.22	1.58	1.87	2.24			
CE18.150	1.5	0.75	1.06	1.50	1.84	2.37	2.81	3.35			
CE18.175	1.6	0.87	1.24	1.75	2.14	2.77	3.27	3.91			
CE18.200	1.7	1.00	1.41	2.00	2.45	3.16	3.74	4.47			
CE18.250	1.9	1.25	1.77	2.50	3.06	3.95	4.68	5.59			
CE18.300	2.1	1.50	2.12	3.00	3.67	4.74	5.61	6.71			
CE18.350	2.3	1.75	2.47	3.50	4.29	5.53	6.55	7.83			
CE18.400	2.4	2.00	2.83	4.00	4.90	6.32	7.48	8.94			
CE18.475	2.7	2.37	3.36	4.75	5.82	7.51	8.89	10.62			
CE18.650	3.1	3.25	4.60	6.50	7.96	10.28	12.16	14.53			
CE18.800	3.5	4.00	5.66	8.00	9.80	12.65	14.97	17.89			
CE28.100	3.9	5.00	7.07	10.00	12.25	15.81	18.71	22.36			
CE28.125	4.3	6.25	8.84	12.50	15.31	19.76	23.39	27.95			
CE28.160	4.9	8.00	11.31	16.00	19.60	25.30	29.93	35.78			

CF Series Flat Spray Nozzles - Dove Tail Type

CF



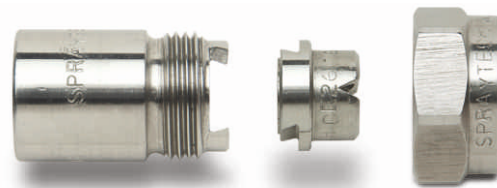
Uniform, parabolic distribution of liquid Headers, equipped with these nozzles, show a highly uniform total distribution of liquids, even at different installation heights and centers.

Application:

Cleaning plants, spray headers, cooling pipes, roll cooling, cooling of rolled products.

Note :

Connection to pipe by means of screwed nut and nipple. Nozzle position fixed by self-setting dove-tail. Flat preset at 15° to pipe axis.



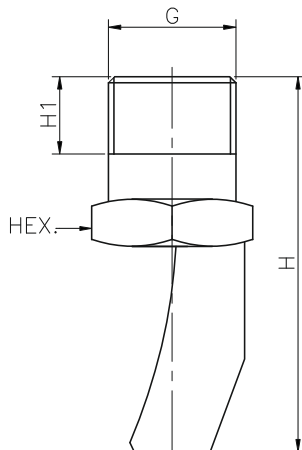
MODEL NO.	ORIFICE SIZE (mm)	FLOW CAPACITY IN LPM AT DIFFERENT PRESSURE								G/A DIMENSION. MM		
		SPRAY ANGLE	PRESSURE [BAR]							H	H1	D
			0.5	1.0	2.0	3.0	5.0	7.0	10.0			
CF11.650	3.1	15°	3.25	4.60	6.50	7.96	10.28	12.16	14.53	14	8	24
CF11.800	3.5		4.00	5.66	8.00	9.80	12.65	14.97	17.89	Weight (Metals) = 35.0 gms. Approx		
CF21.100	3.9		5.00	7.07	10.00	12.25	15.81	18.71	22.36			
CF21.125	4.3		6.25	8.84	12.50	15.31	19.76	23.39	27.95			
CF21.160	4.9		8.00	11.31	16.00	19.60	25.30	29.93	35.78			
CF21.180	5.2		9.00	12.73	18.00	22.05	28.46	33.67	40.25			
CF21.200	5.5		10.00	14.14	20.00	24.49	31.62	37.42	44.72			
CF21.225	5.8		11.25	15.91	22.50	27.56	35.58	42.09	50.31			
CF21.250	6.1		12.50	17.68	25.00	30.62	39.53	46.77	55.90			
CF21.320	6.4		16.00	22.63	32.00	39.19	50.60	59.87	71.55			
CF21.400	7.8		20.00	28.28	40.00	48.99	63.25	74.83	89.44			
CF21.520	8.9		26.00	36.77	52.00	63.69	82.22	97.28	116.28			
CF21.650	9.9	32.50	45.96	65.00	79.61	102.77	121.60	145.34				
CF12.650	3.1	30°	3.25	4.60	6.50	7.96	10.28	12.16	14.53	14	8	24
CF12.800	3.5		4.00	5.66	8.00	9.80	12.65	14.97	17.89	Weight (Metals) = 35.0 gms. Approx		
CF22.100	3.9		5.00	7.07	10.00	12.25	15.81	18.71	22.36			
CF22.125	4.3		6.25	8.84	12.50	15.31	19.76	23.39	27.95			
CF22.160	4.9		8.00	11.31	16.00	19.60	25.30	29.93	35.78			
CF22.180	5.2		9.00	12.73	18.00	22.05	28.46	33.67	40.25			
CF22.200	5.5		10.00	14.14	20.00	24.49	31.62	37.42	44.72			
CF22.225	5.8		11.25	15.91	22.50	27.56	35.58	42.09	50.31			
CF22.250	6.1		12.50	17.68	25.00	30.62	39.53	46.77	55.90			
CF22.320	6.4		16.00	22.63	32.00	39.19	50.60	59.87	71.55			
CF22.400	7.8		20.00	28.28	40.00	48.99	63.25	74.83	89.44			
CF22.520	8.9		26.00	36.77	52.00	63.69	82.22	97.28	116.28			
CF22.650	9.9	32.50	45.96	65.00	79.61	102.77	121.60	145.34				

CF Series Flat Spray Nozzles - Dove Tail Type

			0.5	1.0	2.0	3.0	5.0	7.0	10.0	H	H1	D
CF13.650	3.1	45°	3.25	4.60	6.50	7.96	10.28	12.16	14.53	14	8	24
CF13.800	3.5		4.00	5.66	8.00	9.80	12.65	14.97	17.89	Weight (Metals) = 35 gms. Approx		
CF23.100	3.9		5.00	7.07	10.00	12.25	15.81	18.71	22.36			
CF23.125	4.3		6.25	8.84	12.50	15.31	19.76	23.39	27.95			
CF23.160	4.9		8.00	11.31	16.00	19.60	25.30	29.93	35.78			
CF23.180	5.2		9.00	12.73	18.00	22.05	28.46	33.67	40.25			
CF23.200	5.5		10.00	14.14	20.00	24.49	31.62	37.42	44.72			
CF23.225	5.8		11.25	15.91	22.50	27.56	35.58	42.09	50.31			
CF23.250	6.1		12.50	17.68	25.00	30.62	39.53	46.77	55.90			
CF23.320	6.4		16.00	22.63	32.00	39.19	50.60	59.87	71.55			
CF23.400	7.8		20.00	28.28	40.00	48.99	63.25	74.83	89.44			
CF23.520	8.9		26.00	36.77	52.00	63.69	82.22	97.28	116.28			
CF23.650	9.9		32.50	45.96	65.00	79.61	102.77	121.60	145.34			
CF14.650	3.1	60°	3.25	4.60	6.50	7.96	10.28	12.16	14.53	14	8	24
CF14.800	3.5		4.00	5.66	8.00	9.80	12.65	14.97	17.89	Weight (Metals) = 35 gms. Approx		
CF24.100	3.9		5.00	7.07	10.00	12.25	15.81	18.71	22.36			
CF24.125	4.3		6.25	8.84	12.50	15.31	19.76	23.39	27.95			
CF24.160	4.9		8.00	11.31	16.00	19.60	25.30	29.93	35.78			
CF24.180	5.2		9.00	12.73	18.00	22.05	28.46	33.67	40.25			
CF24.200	5.5		10.00	14.14	20.00	24.49	31.62	37.42	44.72			
CF24.225	5.8		11.25	15.91	22.50	27.56	35.58	42.09	50.31			
CF24.250	6.1		12.50	17.68	25.00	30.62	39.53	46.77	55.90			
CF24.320	6.4		16.00	22.63	32.00	39.19	50.60	59.87	71.55			
CF24.400	7.8		20.00	28.28	40.00	48.99	63.25	74.83	89.44			
CF24.520	8.9		26.00	36.77	52.00	63.69	82.22	97.28	116.28			
CF24.650	9.9		32.50	45.96	65.00	79.61	102.77	121.60	145.34			
CF16.650	3.1	90°	3.25	4.60	6.50	7.96	10.28	12.16	14.53	14	8	24
CF16.800	3.5		4.00	5.66	8.00	9.80	12.65	14.97	17.89	Weight (Metals) = 35 gms. Approx		
CF26.100	3.9		5.00	7.07	10.00	12.25	15.81	18.71	22.36			
CF26.125	4.3		6.25	8.84	12.50	15.31	19.76	23.39	27.95			
CF26.160	4.9		8.00	11.31	16.00	19.60	25.30	29.93	35.78			
CF26.180	5.2		9.00	12.73	18.00	22.05	28.46	33.67	40.25			
CF26.200	5.5		10.00	14.14	20.00	24.49	31.62	37.42	44.72			
CF26.225	5.8		11.25	15.91	22.50	27.56	35.58	42.09	50.31			
CF26.250	6.1		12.50	17.68	25.00	30.62	39.53	46.77	55.90			
CF26.320	6.4		16.00	22.63	32.00	39.19	50.60	59.87	71.55			
CF26.400	7.8		20.00	28.28	40.00	48.99	63.25	74.83	89.44			
CF26.520	8.9		26.00	36.77	52.00	63.69	82.22	97.28	116.28			
CF26.650	9.9		32.50	45.96	65.00	79.61	102.77	121.60	145.34			
CF18.650	3.1	120°	3.25	4.60	6.50	7.96	10.28	12.16	14.53	14	8	24
CF18.800	3.5		4.00	5.66	8.00	9.80	12.65	14.97	17.89	Weight (Metals) = 35 gms. Approx		
CF28.100	3.9		5.00	7.07	10.00	12.25	15.81	18.71	22.36			
CF28.125	4.3		6.25	8.84	12.50	15.31	19.76	23.39	27.95			
CF28.160	4.9		8.00	11.31	16.00	19.60	25.30	29.93	35.78			
CF28.180	5.2		9.00	12.73	18.00	22.05	28.46	33.67	40.25			
CF28.200	5.5		10.00	14.14	20.00	24.49	31.62	37.42	44.72			
CF28.225	5.8		11.25	15.91	22.50	27.56	35.58	42.09	50.31			
CF28.250	6.1		12.50	17.68	25.00	30.62	39.53	46.77	55.90			
CF28.320	6.4		16.00	22.63	32.00	39.19	50.60	59.87	71.55			
CF28.400	7.8		20.00	28.28	40.00	48.99	63.25	74.83	89.44			
CF28.520	8.9		26.00	36.77	52.00	63.69	82.22	97.28	116.28			
CF28.650	9.9		32.50	45.96	65.00	79.61	102.77	121.60	145.34			

CG Series High Impact Flat Spray Nozzles

CG




CG Flat nozzles work on the deflection principal conveying a water vein onto a deflection surface designed to produce a narrow jet with flat spray pattern, high impact value and medium size droplets. CG style nozzles shown in this page are available with a threaded connection and, for the capacity sizes shown in the table with a quick coupling connection for assembly onto the matching quick connection nipple.


How to compose the nozzle code :

The nozzle shown on this page can be supplied with same capacity and a different connection thread, the size is indicated by the second digit in the nozzle code.


Application :


Cleaning, washing decreasing and phosphating processing Powerful jet narrowly defined spray pattern. Non-clogging.

15° SPRAY ANGLE η 10°	CONNECTION END				ORIFICE SIZE (mm)	FLOW CAPACITY IN LPM AT DIFFERENT PRESSURE							G/A DIMENSION. MM			
	1/4"	3/8"	1/2"	3/4"		PRESSURE [BAR]										
MODEL NO. 	BSP BSPT NPT	BSP BSPT NPT	BSP BSPT NPT	BSP BSPT NPT		0.5	1.0	2.0	3.0	5.0	7.0	10.0	CONN.	H	H1	HEX
CG11.350	●				2.3	1.75	2.47	3.50	4.29	5.53	6.55	7.83	1/4"	65	10	17
CG11.650	●				3.1	3.25	4.60	6.50	7.96	10.28	12.16	14.53	Weight (Metals) = 55.0 gms. Approx			
CG21.100		●			3.9	5.00	7.07	10.0	12.25	15.81	18.71	22.36	3/8"	75	10	17
CG21.125		●			4.3	6.25	8.84	12.50	15.31	19.76	23.39	27.95	Weight (Metals) = 61.0 gms. Approx			
CG21.160		●			4.9	8.00	11.31	16.00	19.60	25.30	29.93	35.78	1/2"	80	13.2	22
CG21.180			●		5.2	9.00	12.73	18.00	22.05	28.46	33.67	40.25	Weight (Metals) = 143.0 gms. Approx			
CG21.200			●		5.5	10.00	14.14	20.00	24.49	31.62	37.42	44.72	3/4"	102	14.5	27
CG21.250			●		6.1	12.50	17.68	25.00	30.62	39.53	46.77	55.90	Weight (Metals) = 136 gms. Approx			
CG21.320			●	●	6.4	16.00	22.63	32.00	39.19	50.60	59.87	71.55				
CG21.400				●	7.8	20.00	28.28	40.00	48.99	63.25	74.83	89.44				
CG21.520				●	8.9	26.00	36.77	52.00	63.69	82.22	97.28	116.28				
CG21.650				●	9.9	32.50	45.96	65.00	79.61	102.77	121.60	145.34				

30° SPRAY ANGLE η 20°	CONNECTION END				ORIFICE SIZE (mm)	FLOW CAPACITY IN LPM AT DIFFERENT PRESSURE							G/A DIMENSION. MM			
	1/4"	3/8"	1/2"	3/4"		PRESSURE [BAR]										
MODEL NO. 	BSP BSPT NPT	BSP BSPT NPT	BSP BSPT NPT	BSP BSPT NPT		0.5	1.0	2.0	3.0	5.0	7.0	10.0	CONN.	H	H1	HEX
CG12.350	●				2.3	1.75	2.47	3.50	4.29	5.53	6.55	7.83	1/4"	45	10	17
CG12.650	●				3.1	3.25	4.60	6.50	7.96	10.28	12.16	14.53	Weight (Metals) = XX gms. Approx			
CG22.100		●			3.9	5.00	7.07	10.0	12.25	15.81	18.71	22.36	3/8"	75	10	17
CG22.125		●			4.3	6.25	8.84	12.50	15.31	19.76	23.39	27.95	Weight (Metals) = XX gms. Approx			
CG22.160		●			4.9	8.00	11.31	16.00	19.60	25.30	29.93	35.78	1/2"	80	13.2	22
CG22.180			●		5.2	9.00	12.73	18.00	22.05	28.46	33.67	40.25	Weight (Metals) = XX gms. Approx			
CG22.200			●		5.5	10.00	14.14	20.00	24.49	31.62	37.42	44.72	3/4"	102	14.5	27
CG22.250			●		6.1	12.50	17.68	25.00	30.62	39.53	46.77	55.90	Weight (Metals) = XX gms. Approx			
CG22.320			●	●	6.4	16.00	22.63	32.00	39.19	50.60	59.87	71.55				
CG22.400				●	7.8	20.00	28.28	40.00	48.99	63.25	74.83	89.44				
CG22.520				●	8.9	26.00	36.77	52.00	63.69	82.22	97.28	116.28				
CG22.650				●	9.9	32.50	45.96	65.00	79.61	102.77	121.60	145.34				

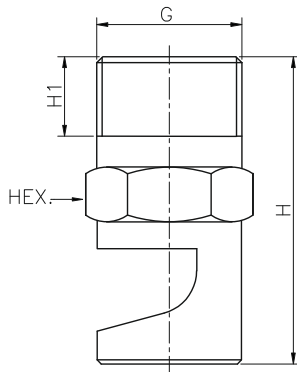
CG Series High Impact Flat Spray Nozzles

45° SPRAY ANGLE η 25°	CONNECTION END				ORIFICE SIZE (mm)	FLOW CAPACITY IN LPM AT DIFFERENT PRESSURE							G/A DIMENSION. MM			
	1/4"	3/8"	1/2"	3/4"		PRESSURE [BAR]										
MODEL NO. 	BSP BSPT NPT	BSP BSPT NPT	BSP BSPT NPT	BSP BSPT NPT		0.5	1.0	2.0	3.0	5.0	7.0	10.0	CONN.	H	H1	HEX
CG13.350	●				2.3	1.75	2.47	3.50	4.29	5.53	6.55	7.83	1/4"	42	10	17
CG13.650	●				3.1	3.25	4.60	6.50	7.96	10.28	12.16	14.53	Weight (Metals) = XX gms. Approx			
CG23.100		●			3.9	5.00	7.07	10.0	12.25	15.81	18.71	22.36	3/8"	50	10	17
CG23.125		●			4.3	6.25	8.84	12.50	15.31	19.76	23.39	27.95	Weight (Metals) = XX gms. Approx			
CG23.160		●			4.9	8.00	11.31	16.00	19.60	25.30	29.93	35.78	1/2"	60	13.2	22
CG23.180			●		5.2	9.00	12.73	18.00	22.05	28.46	33.67	40.25	Weight (Metals) = XX gms. Approx			
CG23.200			●		5.5	10.00	14.14	20.00	24.49	31.62	37.42	44.72	3/4"	70	14.5	27
CG23.250			●		6.1	12.50	17.68	25.00	30.62	39.53	46.77	55.90	Weight (Metals) = XX gms. Approx			
CG23.320			●	●	6.4	16.00	22.63	32.00	39.19	50.60	59.87	71.55				
CG23.400				●	7.8	20.00	28.28	40.00	48.99	63.25	74.83	89.44				
CG23.520				●	8.9	26.00	36.77	52.00	63.69	82.22	97.28	116.28				
CG23.650				●	9.9	32.50	45.96	65.00	79.61	102.77	121.60	145.34				

60° SPRAY ANGLE η 40°	CONNECTION END				ORIFICE SIZE (mm)	FLOW CAPACITY IN LPM AT DIFFERENT PRESSURE							G/A DIMENSION. MM			
	1/4"	3/8"	1/2"	3/4"		PRESSURE [BAR]										
MODEL NO. 	BSP BSPT NPT	BSP BSPT NPT	BSP BSPT NPT	BSP BSPT NPT		0.5	1.0	2.0	3.0	5.0	7.0	10.0	CONN.	H	H1	HEX
CG14.350	●				2.3	1.75	2.47	3.50	4.29	5.53	6.55	7.83	1/4"	42	10	17
CG14.650	●				3.1	3.25	4.60	6.50	7.96	10.28	12.16	14.53	Weight (Metals) = XX gms. Approx			
CG24.100		●			3.9	5.00	7.07	10.0	12.25	15.81	18.71	22.36	3/8"	50	10	17
CG24.125		●			4.3	6.25	8.84	12.50	15.31	19.76	23.39	27.95	Weight (Metals) = XX gms. Approx			
CG24.160		●			4.9	8.00	11.31	16.00	19.60	25.30	29.93	35.78	1/2"	60	13.2	22
CG24.180			●		5.2	9.00	12.73	18.00	22.05	28.46	33.67	40.25	Weight (Metals) = XX gms. Approx			
CG24.200			●		5.5	10.00	14.14	20.00	24.49	31.62	37.42	44.72	3/4"	70	14.5	27
CG24.250			●		6.1	12.50	17.68	25.00	30.62	39.53	46.77	55.90	Weight (Metals) = XX gms. Approx			
CG24.320			●	●	6.4	16.00	22.63	32.00	39.19	50.60	59.87	71.55				
CG24.400				●	7.8	20.00	28.28	40.00	48.99	63.25	74.83	89.44				
CG24.520				●	8.9	26.00	36.77	52.00	63.69	82.22	97.28	116.28				
CG24.650				●	9.9	32.50	45.96	65.00	79.61	102.77	121.60	145.34				

CH Series Flood Spray Nozzles - Flat Type

CH



CH series flat nozzles work on the deflection principal conveying a water vein onto a machined deflection surface and produce a jet with a wide angle flat spray pattern medium impact value and medium size droplets.

Wide angle flat with sharply defined spray pattern. It is available with a threaded connection for the sizes form 1/8" to 1". These type of nozzles assure a wide coverage and an even distribution.

- Characteristic : Flat nozzle work on the impact principle, with high efficiency and low plugging risks.
- Design : One Piece construction, non clogging type accurately machined to provide very high impact
- Application : Gravel washing, rinsing control of foam etc.

90° SPRAY ANGLE η 50°	CONNECTION END						ORIFICE SIZE (mm)	FLOW CAPACITY IN LPM AT DIFFERENT PRESSURE							G/A DIMENSION. MM			
	1/8"	1/4"	3/8"	1/2"	3/4"	1"		PRESSURE [BAR]										
	BSP BSPT NPT	BSP BSPT NPT	BSP BSPT NPT	BSP BSPT NPT	BSP BSPT NPT	BSP BSPT NPT		0.5	1.0	2.0	3.0	5.0	7.0	10.0	CONN.	H	H1	HEX
CH16.100	●						1.2	0.50	0.71	1.00	1.22	1.58	1.87	2.24	1/8"	22	6.5	11
CH16.150	●						1.5	0.75	1.06	1.50	1.84	2.37	2.81	3.35	Weight (Metals) = 21 gms. Approx			
CH16.175	●						1.6	0.87	1.24	1.75	2.14	2.77	3.27	3.91	1/4"	30	10	14
CH16.200	●						1.7	1.00	1.41	2.00	2.45	3.16	3.74	4.47	Weight (Metals) = 51 gms. Approx			
CH16.250	●	●					1.9	1.25	1.77	2.50	3.06	3.95	4.68	5.59	3/8"	36	10	17
CH16.300	●	●					2.1	1.50	2.12	3.00	3.67	4.74	5.61	6.71	Weight (Metals) = 140 gms. Approx			
CH16.350	●	●					2.3	1.75	2.47	3.50	4.29	5.53	6.55	7.83	1/2"	50	13.2	22
CH16.400	●	●					2.4	2.00	2.83	4.00	4.90	6.32	7.48	8.94	Weight (Metals) = 185 gms. Approx			
CH16.475	●	●					2.7	2.37	3.36	4.75	5.82	7.51	8.89	10.62	3/4"	56	14.5	27
CH16.650	●	●					3.1	3.25	4.60	6.50	7.96	10.28	12.16	14.53	Weight (Metals) = 235 gms. Approx			
CH16.800	●	●					3.5	4.00	5.66	8.00	9.80	12.65	14.97	17.89	1"	72	16.8	46
CH26.100	●	●	●				3.9	5.00	7.07	10.00	12.25	15.81	18.71	22.36	Weight (Metals) = XX gms. Approx			
CH26.125		●	●				4.3	6.25	8.84	12.50	15.31	19.76	23.39	27.95				
CH26.160		●	●				4.9	8.00	11.31	16.00	19.60	25.30	29.93	35.78				
CH26.180			●				5.2	9.00	12.73	18.00	22.05	28.46	33.67	40.25				
CH26.200			●	●			5.5	10.00	14.14	20.00	24.49	31.62	37.42	44.72				
CH26.250				●			6.1	12.50	17.68	25.00	30.62	39.53	46.77	55.90				
CH26.320				●			6.4	16.00	22.63	32.00	39.19	50.60	59.87	71.55				
CH26.400				●			7.8	20.00	28.28	40.00	48.99	63.25	74.83	89.44				
CH26.520					●		8.9	26.00	36.77	52.00	63.69	82.22	97.28	116.28				
CH26.650					●		9.9	32.50	45.96	65.00	79.61	102.77	121.60	145.34				
CH26.800					●		11.0	40.00	56.57	80.00	97.98	126.49	149.67	178.89				
CH36.100					●		11.3	50.00	70.71	100.0	122.4	158.1	187.0	223.6				
CH36.160						●	14.3	80.00	113.14	160.0	195.96	252.98	299.33	357.77				
CH36.200						●	16.0	100.0	141.42	200.0	244.95	316.23	374.17	447.21				

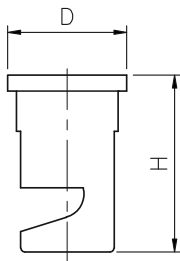
CH Series Flood Spray Nozzles - Flat Type

140° SPRAY ANGLE η 75°	CONNECTION END						ORIFICE SIZE (mm)	FLOW CAPACITY IN LPM AT DIFFERENT PRESSURE							G/A DIMENSION. MM		
	1/8"	1/4"	3/8"	1/2"	3/4"	1"		PRESSURE [BAR]									
	BSP BSPT NPT	BSP BSPT NPT	BSP BSPT NPT	BSP BSPT NPT	BSP BSPT NPT	BSP BSPT NPT		0.5	1.0	2.0	3.0	5.0	7.0	10.0	CONN.	H	HEX
CH19.100	●						1.2	0.50	0.71	1.00	1.22	1.58	1.87	2.24	1/8"	25	11
CH19.150	●						1.5	0.75	1.06	1.50	1.84	2.37	2.81	3.35	Weight (Metals) = XX gms. Approx		
CH19.175	●						1.6	0.87	1.24	1.75	2.14	2.77	3.27	3.91	1/4"	27	14
CH19.200	●						1.7	1.00	1.41	2.00	2.45	3.16	3.74	4.47	Weight (Metals) = XX gms. Approx		
CH19.250	●	●					1.9	1.25	1.77	2.50	3.06	3.95	4.68	5.59	3/8"	33	17
CH19.300	●	●					2.1	1.50	2.12	3.00	3.67	4.74	5.61	6.71	Weight (Metals) = XX gms. Approx		
CH19.350	●	●					2.3	1.75	2.47	3.50	4.29	5.53	6.55	7.83	1/2"	50	22
CH19.400	●	●					2.4	2.00	2.83	4.00	4.90	6.32	7.48	8.94	Weight (Metals) = XX gms. Approx		
CH19.475	●	●					2.7	2.37	3.36	4.75	5.82	7.51	8.89	10.62	3/4"	56	27
CH19.650	●	●					3.1	3.25	4.60	6.50	7.96	10.28	12.16	14.53	Weight (Metals) = XX gms. Approx		
CH19.800	●	●					3.5	4.00	5.66	8.00	9.80	12.65	14.97	17.89	1"	72	46
CH29.100	●	●	●				3.9	5.00	7.07	10.00	12.25	15.81	18.71	22.36	Weight (Metals) = XX gms. Approx		
CH29.125		●	●				4.3	6.25	8.84	12.50	15.31	19.76	23.39	27.95			
CH29.160		●	●				4.9	8.00	11.31	16.00	19.60	25.30	29.93	35.78			
CH29.180			●				5.2	9.00	12.73	18.00	22.05	28.46	33.67	40.25			
CH29.200			●	●			5.5	10.00	14.14	20.00	24.49	31.62	37.42	44.72			
CH29.250				●			6.1	12.50	17.68	25.00	30.62	39.53	46.77	55.90			
CH29.320				●			6.4	16.00	22.63	32.00	39.19	50.60	59.87	71.55			
CH29.400				●			7.8	20.00	28.28	40.00	48.99	63.25	74.83	89.44			
CH29.520					●		8.9	26.00	36.77	52.00	63.69	82.22	97.28	116.28			
CH29.650					●		9.9	32.50	45.96	65.00	79.61	102.77	121.60	145.34			
CH29.800					●		11.0	40.00	56.57	80.00	97.98	126.49	149.67	178.89			
CH39.100					●		11.3	50.00	70.71	100.0	122.4	158.1	187.0	223.6			
CH39.160						●	14.3	80.00	113.14	160.0	195.96	252.98	299.33	357.77			
CH39.200						●	16.0	100.0	141.42	200.0	244.95	316.23	374.17	447.21			
CH39.250						●	17.8	125.00	176.00	250.0	306.19	395.28	467.71	559.02			



CI Series Flood Spray Nozzles - Flat Tip Type

CI



Wide angle jet with sharply defined spray pattern

Application :

Control of foam in effluent tanks, sewage treatment plants, coal treatment plants, coal washing cooling washing and rinsing operations where high jet impact flow is required.

90° SPRAY ANGLE	MODEL NO.	ORIFICE SIZE (mm)	FLOW CAPACITY IN LPM AT DIFFERENT PRESSURE							G/A DIMENSION. MM		
			SPRAY ANGLE	PRESSURE [BAR]							H	D
				0.5	1.0	2.0	3.0	5.0	7.0	10.0	22	14.8
	CI16.050	0.8	90°	0.25	0.35	0.50	0.61	0.79	0.94	1.12	Weight (Metals) = 32 gms. Approx	
	CI16.075	1.0		0.37	0.53	0.75	0.92	1.19	1.40	1.68		
	CI16.100	1.2		0.50	0.71	1.00	1.22	1.58	1.87	2.24		
	CI16.150	1.5		0.75	1.06	1.50	1.84	2.37	2.81	3.35		
	CI16.175	1.6		0.87	1.24	1.75	2.14	2.77	3.27	3.91		
	CI16.200	1.7		1.00	1.41	2.00	2.45	3.16	3.74	4.47		
	CI16.250	1.9		1.25	1.77	2.50	3.06	3.95	4.68	5.59		
	CI16.300	2.1		1.50	2.12	3.00	3.67	4.74	5.61	6.71		
	CI16.350	2.3		1.75	2.47	3.50	4.29	5.53	6.55	7.83		
	CI16.400	2.4		2.00	2.83	4.00	4.90	6.32	7.48	8.94		
	CI16.475	2.7		2.37	3.36	4.75	5.82	7.51	8.89	10.62		
	CI16.650	3.1		3.25	4.60	6.50	7.96	10.28	12.16	14.53		
	CI16.800	3.5		4.00	5.66	8.00	9.80	12.65	14.97	17.89		
	CI26.100	3.9		5.00	7.07	10.00	12.25	15.81	18.71	22.36		

140° SPRAY ANGLE	MODEL NO.	ORIFICE SIZE (mm)	FLOW CAPACITY IN LPM AT DIFFERENT PRESSURE							G/A DIMENSION. MM		
			SPRAY ANGLE	PRESSURE [BAR]							H	D
				0.5	1.0	2.0	3.0	5.0	7.0	10.0	22	14.8
	CI19.050	0.8	140°	0.25	0.35	0.50	0.61	0.79	0.94	1.12	Weight (Metals) = 32 gms. Approx	
	CI19.075	1.0		0.37	0.53	0.75	0.92	1.19	1.40	1.68		
	CI19.100	1.2		0.50	0.71	1.00	1.22	1.58	1.87	2.24		
	CI19.150	1.5		0.75	1.06	1.50	1.84	2.37	2.81	3.35		
	CI19.175	1.6		0.87	1.24	1.75	2.14	2.77	3.27	3.91		
	CI19.200	1.7		1.00	1.41	2.00	2.45	3.16	3.74	4.47		
	CI19.250	1.9		1.25	1.77	2.50	3.06	3.95	4.68	5.59		
	CI19.300	2.1		1.50	2.12	3.00	3.67	4.74	5.61	6.71		
	CI19.350	2.3		1.75	2.47	3.50	4.29	5.53	6.55	7.83		
	CI19.400	2.4		2.00	2.83	4.00	4.90	6.32	7.48	8.94		
	CI19.475	2.7		2.37	3.36	4.75	5.82	7.51	8.89	10.62		
	CI19.650	3.1		3.25	4.60	6.50	7.96	10.28	12.16	14.53		
	CI19.800	3.5		4.00	5.66	8.00	9.80	12.65	14.97	17.89		
	CI29.100	3.9		5.00	7.07	10.00	12.25	15.81	18.71	22.36		
	CI29.125	4.3		6.25	8.84	12.50	15.31	19.76	23.39	27.95		

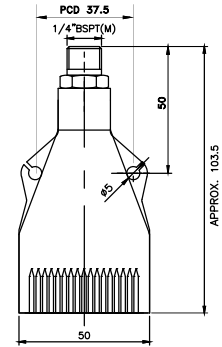
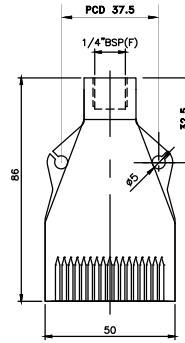
CJ Series Flat Spray Nozzles For Air Knife Nozzles



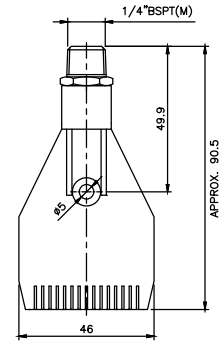
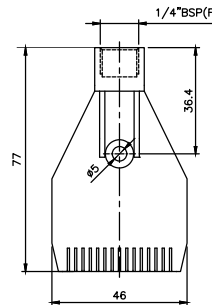
Multi channel flat air spray nozzle have been specially designed for high impact of compressed air with attenuate noise, to obtain an intensive, precise blowing power to minimize cost by reducing air consumption.



ALUMINIUM



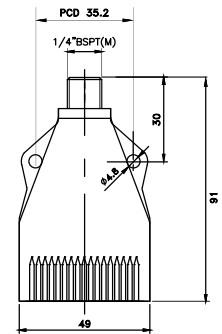
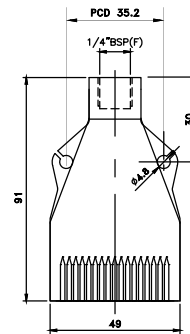
STEEL



ABS



ABS



MOC	MODEL NO.	CONNECTION END		ORIFICE SIZE (mm)	FLOW CAPACITY IN Nm ³ /hr AT DIFFERENT PRESSURE					WEIGHT (gram)
		1/4"	1/4"		PRESSURE [BAR]					
		(MALE) BSP	(FEMALE) BSP		1	2	3	4	5	
ABS	CJ08.P11.XBM	●		0.8	17	22	27	31	-	MALE : Weight = 18 gms. Approx
	CJ08.P11.XBF		●	0.8	17	22	27	31	-	FEMALE : Weight = 16 gms. Approx
	CJ10.P11.XBM	●		1.0	17	22	27	31	-	
	CJ10.P11.XBF		●	1.0	17	22	27	31	-	
ALUMINIUM	CJ08.M6.XBM	●		0.8	18	23	28	32	37	MALE : Weight = 78 gms. Approx
	CJ08.M6.XBF		●	0.8	18	23	28	32	37	FEMALE : Weight = 70 gms. Approx
	CJ10.M6.XBM	●		1.0	18	23	28	32	37	
	CJ10.M6.XBF		●	1.0	18	23	28	32	37	
SS 304	CJ08.M1.XBM	●		0.8	27	33	42	55	70	MALE : Weight = 127 gms. Approx
	CJ08.M1.XBF		●	0.8	27	33	42	55	70	FEMALE : Weight = 112 gms. Approx
	CJ10.M1.XBM	●		1.0	27	33	42	55	70	
	CJ10.M1.XBF		●	1.0	27	33	42	55	70	
SS 316	CJ08.M2.XBM	●		0.8	27	33	42	55	70	MALE : Weight = 127 gms. Approx
	CJ08.M2.XBF		●	0.8	27	33	42	55	70	FEMALE : Weight = 112 gms. Approx
	CJ10.M2.XBM	●		1.0	27	33	42	55	70	
	CJ10.M2.XBF		●	1.0	27	33	42	55	70	

End Connection : X – BSP, Y - BSPT, Z – NPT Available.

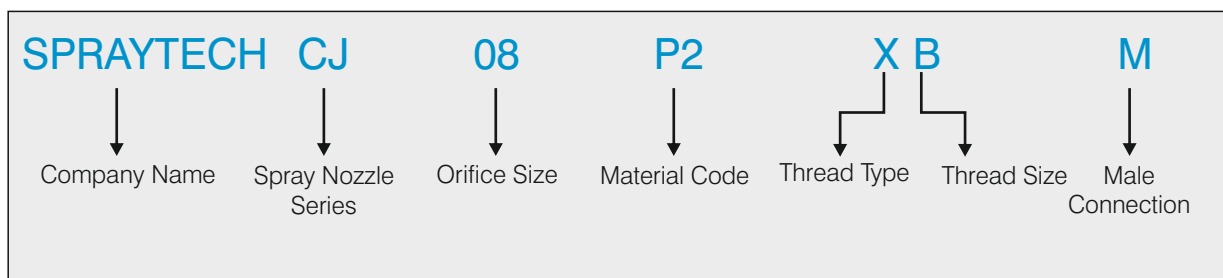
CJ Series Flat Spray Nozzles For Air Knife Nozzles

Air Knife Nozzles



The following description will help to explain our Part Number/ Code in relation to the “SPRAYTECH” Spray Nozzle.

EXAMPLE ORDERING.



SPRAY CHARACTERISTICS

Produces a flat pattern of high impact compressed air.

FEATURES

- With its multiple orifices a volume of compressed air is converted into a high speed stream with uniform distribution and good spray pattern.
- Low noise levels which are under OSHA standard.
- Low air consumption.
- Can be mounted side by side to produce an effective air curtain.

TYPICAL APPLICATIONS

- Cooling
- Warming
- Drying
- Cleaning, Wipping
- Moving of Parts

ORIFICE SIZE

- 08 = 0.8mm
- 10 = 1.0mm

MATERIAL

P2 = PP (Polypropylene)
M1 = SS304 / SS303
M6 = Aluminum

THREAD TYPE

- X=BSPP
- Y=BSPT
- Z=NPT

THREAD SIZE

- B=1/4"

CK Series Flat Spray Nozzles For Air & Saturated Steam

CK

Features :

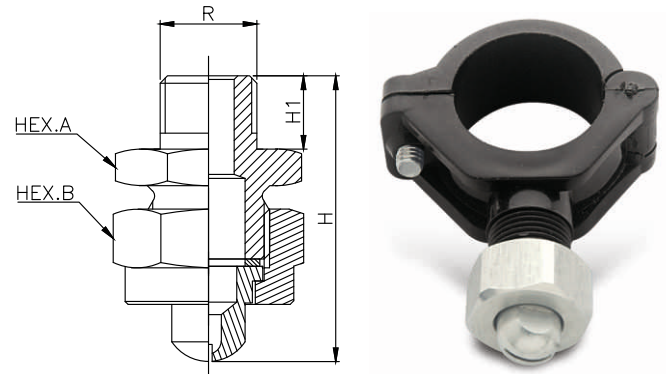
- Produce flat spray pattern in air or steam.
- Effective spray angle does not hold long since air or steam disperses very quickly.

Standard Operating Air Pressure :

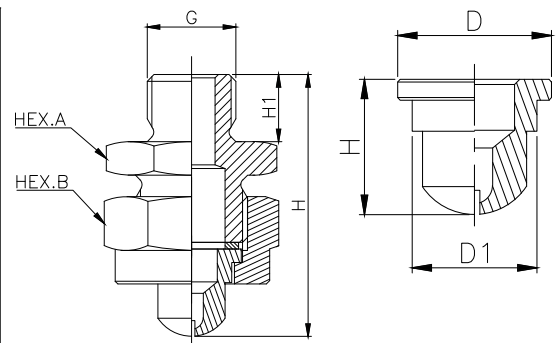
- 3 Bar

Applications :

- **Compressed air :**
Cleaning, dust suppression, drying air curtain, etc.
- **Steam :**
Humidification, temperature control, moisture control, etc.



CK - series (3-piece structure)	
Structure	<ul style="list-style-type: none"> • 3-piece structure of all metal • Comprises three parts : Spray tip, cap and adaptor, worn-out spray tip can be replaced separately. • Cap and adaptor standard flat spray nozzle for liquid.
Material	<ul style="list-style-type: none"> • B (Brass) or S.S.304 (Stainless Steel 304) • Optional material : S316



COMPLETE NOZZLE :

Series	End Connection Size of Complete Nozzle	Dimensions(mm)				Weight (g)	
		H	H1	Hex A	Hex B	Brass	S.S.304
CK	1/4 ,3/8 G(M)	39	10	22	22	47	44
	1/4 ,3/8 R(M)	41.5	10	22	22	78	73

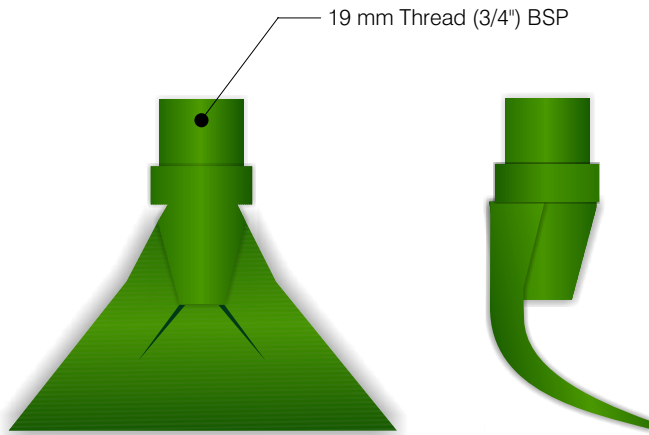
SPRAY TIP :

Series	Spray Tip	Dimensions (mm)			Weight (g)	
		H	D	D1	Brass	S.S.304
CK	1/4	13	14.8	12	5.0	4.8
	3/8	13	14.8	12	8.2	7.8

Note : Appearance and dimensions may be slightly changed depending on materials and nozzle codes.

CM Series Deluge Type Spray Nozzle (Polyurethane)

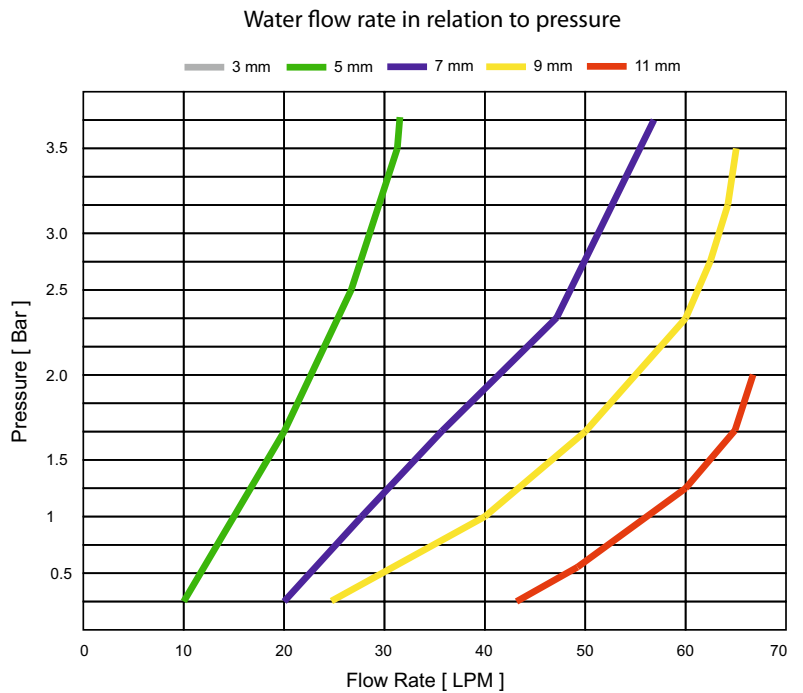
CM



- Features** :
- Uniform spray pattern
 - Coarse flat fan spray
 - Tough wear resistant
 - One piece molded construction
 - Corrosion-resistant
 - Economical

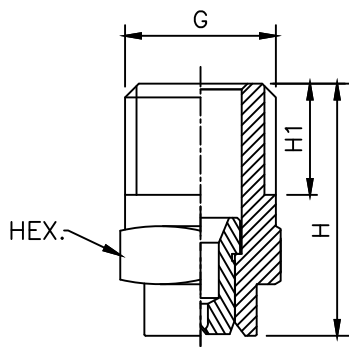
Spraytech Spray nozzles work equally effectively with high or low water pressure with an operating range from 40 to 300 kPa (6 to 40 psi). The nozzles give a sharp, defined, fanshaped water jet providing efficient cleaning. Spraytech Spray nozzles are ideal for washing, dust control and deslurrying applications. Trellex Spray nozzles made from polyurethane ensure efficient cleaning.

MODEL NO.	ORIFICE (mm)	COLOUR	END CONN
CM03.P9.XE	3.0	Grey	3/4" BSP (M)
CM05.P9.XE	5.0	Green	3/4" BSP (M)
CM07.P9.XE	7.0	Blue	3/4" BSP (M)
CM09.P9.XE	9.0	Yellow	3/4" BSP (M)
CM11.P9.XE	11.0	Red	3/4" BSP (M)



CN Series Flat Spray Nozzle (Insert Design)

CN



Standard design with self sealing thread connection. Stable spray angle, Uniform distribution of liquid, parabolical distribution of liquid.

Design : One piece construction, Non clogging type.

Application : Rinsing, Lubricating, Industrial washing machines, Cake washing in Centrifuge, CIP, Tray washing.

'C' Series Flat Spray Nozzles are designed for high pressure / high impact washing application. These nozzles are specially designed and machined with precision which allows even spray coverage and distribution. This results in effective and uniform cleaning action over the surface being processed. Flat spray nozzles are available in all steel grades, Plastics & other alloys. Spray angle range available from 15° to 120° .

15° SPRAY ANGLE	CONNECTION END		ORIFICE SIZE (mm)	FLOW CAPACITY IN LPM AT DIFFERENT PRESSURE							G/A DIMENSION. MM				
	1/8"	1/4"		PRESSURE [BAR]							CONN.	H	H1	D	HEX
MODEL NO.	BSP BSPT NPT	BSP BSPT NPT		0.5	1.0	2.0	3.0	5.0	7.0	10.0					
CN11.050	●	●	0.8	0.25	0.35	0.50	0.61	0.79	0.94	1.12	1/8"	18	6.5	10.2	11
CN11.075	●	●	1.0	0.37	0.53	0.75	0.92	1.19	1.40	1.68	1/8" Weight (Metals) = 7 gms. Approx				
CN11.100	●	●	1.2	0.50	0.71	1.00	1.22	1.58	1.87	2.24	1/4"	22	10	13	14
CN11.150	●	●	1.5	0.75	1.06	1.50	1.84	2.37	2.81	3.35	1/4" Weight (Metals) = 18 gms. Approx				
CN11.175	●	●	1.6	0.87	1.24	1.75	2.14	2.77	3.27	3.91					
CN11.200	●	●	1.7	1.00	1.41	2.00	2.45	3.16	3.74	4.47					
CN11.250	●	●	1.9	1.25	1.77	2.50	3.06	3.95	4.68	5.59					
CN11.300	●	●	2.1	1.5	2.12	3.0	3.67	4.74	5.61	6.71					
CN11.350	●	●	2.3	1.75	2.47	3.50	4.29	5.53	6.55	7.83					
CN11.400	●	●	2.4	2.00	2.83	4.00	4.90	6.32	7.48	8.94					
CN11.475	●	●	2.7	2.37	3.36	4.75	5.82	7.51	8.89	10.62					
CN11.650	●	●	3.1	3.25	4.60	6.50	7.96	10.28	12.16	14.53					
CN11.800	●	●	3.5	4.00	5.66	8.00	9.80	12.65	14.97	17.89					
CN21.100		●	3.9	5.00	7.07	10.00	12.25	15.81	18.71	22.36					
CN21.125		●	4.3	6.25	8.84	12.50	15.31	19.76	23.39	27.95					
CN21.160		●	4.9	8.00	11.31	16.00	19.60	25.30	29.93	35.78					
CN21.180		●	5.2	9.00	12.73	18.00	22.05	28.46	33.67	40.25					
CN21.200		●	5.5	10.00	14.14	20.00	24.49	31.62	37.42	44.72					
CN21.225		●	5.8	11.25	15.91	22.50	27.56	35.58	42.09	50.31					
CN21.250		●	6.1	12.50	17.68	25.00	30.62	39.53	46.77	55.90					

CN Series Flat Spray Nozzles (Insert Design)

30° SPRAY ANGLE	CONNECTION END		ORIFICE SIZE (mm)	FLOW CAPACITY IN LPM AT DIFFERENT PRESSURE							G/A DIMENSION. MM				
	1/8"	1/4"		PRESSURE [BAR]											
MODEL NO.	BSP BSPT NPT	BSP BSPT NPT		0.5	1.0	2.0	3.0	5.0	7.0	10.0	CONN.	H	H1	D	HEX
CN12.050	●	●	0.8	0.25	0.35	0.50	0.61	0.79	0.94	1.12	1/8"	18	6.5	10.2	11
CN12.075	●	●	1.0	0.37	0.53	0.75	0.92	1.19	1.40	1.68	1/8" Weight (Metals) = 7 gms. Approx				
CN12.100	●	●	1.2	0.50	0.71	1.00	1.22	1.58	1.87	2.24	1/4"	22	10	13	14
CN12.150	●	●	1.5	0.75	1.06	1.50	1.84	2.37	2.81	3.35	1/4" Weight (Metals) = 18 gms. Approx				
CN12.175	●	●	1.6	0.87	1.24	1.75	2.14	2.77	3.27	3.91					
CN12.200	●	●	1.7	1.00	1.41	2.00	2.45	3.16	3.74	4.47					
CN12.250	●	●	1.9	1.25	1.77	2.50	3.06	3.95	4.68	5.59					
CN12.300	●	●	2.1	1.5	2.12	3.0	3.67	4.74	5.61	6.71					
CN12.350	●	●	2.3	1.75	2.47	3.50	4.29	5.53	6.55	7.83					
CN12.400	●	●	2.4	2.00	2.83	4.00	4.90	6.32	7.48	8.94					
CN12.475	●	●	2.7	2.37	3.36	4.75	5.82	7.51	8.89	10.62					
CN12.650	●	●	3.1	3.25	4.60	6.50	7.96	10.28	12.16	14.53					
CN12.800	●	●	3.5	4.00	5.66	8.00	9.80	12.65	14.97	17.89					
CN22.100		●	3.9	5.00	7.07	10.00	12.25	15.81	18.71	22.36					
CN22.125		●	4.3	6.25	8.84	12.50	15.31	19.76	23.39	27.95					
CN22.160		●	4.9	8.00	11.31	16.00	19.60	25.30	29.93	35.78					
CN22.180		●	5.2	9.00	12.73	18.00	22.05	28.46	33.67	40.25					
CN22.200		●	5.5	10.00	14.14	20.00	24.49	31.62	37.42	44.72					
CN22.225		●	5.8	11.25	15.91	22.50	27.56	35.58	42.09	50.31					
CN22.250		●	6.1	12.50	17.68	25.00	30.62	39.53	46.77	55.90					

45° SPRAY ANGLE	END CONNECTION				ORIFICE SIZE (mm)	FLOW CAPACITY IN LPM AT DIFFERENT PRESSURE VALUES							G/A DIMENSION. MM				
	1/8"	1/4"	3/8"	1/2"		PRESSURE [BAR]											
MODEL NO.	BSP BSPT NPT	BSP BSPT NPT	BSP BSPT NPT	BSP BSPT NPT		0.5	1.0	2.0	3.0	5.0	7.0	10.0	CONN.	H	H1	D	HEX
CN13.050	●	●			0.8	0.25	0.35	0.50	0.61	0.79	0.94	1.12	1/8"	18	6.5	10.2	11
CN13.075	●	●			1.0	0.37	0.53	0.75	0.92	1.19	1.40	1.68	1/8" Weight (Metals) = 7 gms. Approx				
CN13.100	●	●			1.2	0.50	0.71	1.00	1.22	1.58	1.87	2.24	1/4"	22	10	13	14
CN13.150	●	●			1.5	0.75	1.06	1.50	1.84	2.37	2.81	3.35	1/4" Weight (Metals) = 18 gms. Approx				
CN13.175	●	●			1.6	0.87	1.24	1.75	2.14	2.77	3.27	3.91	3/8"	25	12	16	17
CN13.200	●	●			1.7	1.00	1.41	2.00	2.45	3.16	3.74	4.47	3/8" Weight (Metals) = 28 gms. Approx				
CN13.250	●	●			1.9	1.25	1.77	2.50	3.06	3.95	4.68	5.59	1/2"	27	13.2	21	22
CN13.300	●	●				1.5	2.12	3.00	3.67	4.74	5.61	6.71	1/2" Weight (Metals) = 42 gms. Approx				
CN13.350	●	●			2.3	1.75	2.47	3.50	4.29	5.53	6.55	7.83					
CN13.400	●	●			2.4	2.00	2.83	4.00	4.90	6.32	7.48	8.94					
CN13.475	●	●			2.7	2.37	3.36	4.75	5.82	7.51	8.89	10.62					
CN13.650	●	●			3.1	3.25	4.60	6.50	7.96	10.28	12.16	14.53					
CN13.800	●	●			3.5	4.00	5.66	8.00	9.80	12.65	14.97	17.89					
CN23.100		●	●		3.9	5.00	7.07	10.00	12.25	15.81	18.71	22.36					
CN23.125		●	●		4.3	6.25	8.84	12.50	15.31	19.76	23.39	27.95					
CN23.160		●	●		4.9	8.00	11.31	16.00	19.60	25.30	29.93	35.78					
CN23.180		●	●		5.2	9.00	12.73	18.00	22.05	28.46	33.67	40.25					
CN23.200		●	●		5.5	10.00	14.14	20.00	24.49	31.62	37.42	44.72					
CN23.225		●	●		5.8	11.25	15.91	22.50	27.56	35.58	42.09	50.31					
CN23.250		●	●		6.1	12.50	17.68	25.00	30.62	39.53	46.77	55.90					
CN23.320			●	●	6.4	16.00	22.63	32.00	39.19	50.60	59.87	71.55					
CN23.400			●	●	7.8	20.00	28.28	40.00	48.99	63.25	74.83	89.44					
CN23.520				●	8.9	26.00	36.77	52.00	63.69	82.22	97.28	116.28					
CN23.650				●	9.9	32.50	45.96	65.00	79.61	102.77	121.60	145.34					
CN23.800				●	11.0	40.00	56.57	80.00	97.98	126.49	149.67	178.89					

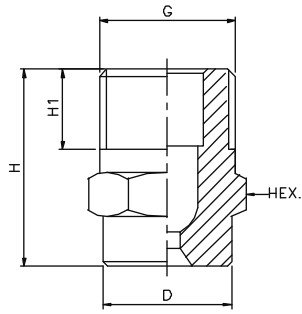
CN Series Flat Spray Nozzles (Insert Design)

60° SPRAY ANGLE	END CONNECTION				ORIFICE SIZE (mm)	FLOW CAPACITY IN LPM AT DIFFERENT PRESSURE VALUES							G/A DIMENSION. MM				
	1/8"	1/4"	3/8"	1/2"		PRESSURE [BAR]							CONN.	H	H1	D	HEX
MODEL NO.	BSP BSPT NPT	BSP BSPT NPT	BSP BSPT NPT	BSP BSPT NPT		0.5	1.0	2.0	3.0	5.0	7.0	10.0					
CN14.050	●	●			0.8	0.25	0.35	0.50	0.61	0.79	0.94	1.12	1/8"	18	6.5	10.2	11
CN14.075	●	●			1.0	0.37	0.53	0.75	0.92	1.19	1.40	1.68	1/8" Weight (Metals) = 7 gms. Approx				
CN14.100	●	●			1.2	0.50	0.71	1.00	1.22	1.58	1.87	2.24	1/4"	22	10	13	14
CN14.150	●	●			1.5	0.75	1.06	1.50	1.84	2.37	2.81	3.35	1/4" Weight (Metals) = 18 gms. Approx				
CN14.175	●	●			1.6	0.87	1.24	1.75	2.14	2.77	3.27	3.91	3/8"	25	12	16	17
CN14.200	●	●			1.7	1.00	1.41	2.00	2.45	3.16	3.74	4.47	3/8" Weight (Metals) = 28 gms. Approx				
CN14.250	●	●			1.9	1.25	1.77	2.50	3.06	3.95	4.68	5.59	1/2"	27	13.2	21	22
CN14.300	●	●			2.1	1.50	2.12	3.00	3.67	4.74	5.61	6.71	1/2" Weight (Metals) = 42 gms. Approx				
CN14.350	●	●			2.3	1.75	2.47	3.50	4.29	5.53	6.55	7.83					
CN14.400	●	●			2.4	2.00	2.83	4.00	4.90	6.32	7.48	8.94					
CN14.475	●	●			2.7	2.37	3.36	4.75	5.82	7.51	8.89	10.62					
CN14.650	●	●			3.1	3.25	4.60	6.50	7.96	10.28	12.16	14.53					
CN14.800	●	●			3.5	4.00	5.66	8.00	9.80	12.65	14.97	17.89					
CN24.100		●	●		3.9	5.00	7.07	10.00	12.25	15.81	18.71	22.36					
CN24.125		●	●		4.3	6.25	8.84	12.50	15.31	19.76	23.39	27.95					
CN24.160		●	●		4.9	8.00	11.31	16.00	19.60	25.30	29.93	35.78					
CN24.180		●	●		5.2	9.00	12.73	18.00	22.05	28.46	33.67	40.25					
CN24.200		●	●		5.5	10.00	14.14	20.00	24.49	31.62	37.42	44.72					
CN24.225		●	●		5.8	11.25	15.91	22.50	27.56	35.58	42.09	50.31					
CN24.250		●	●		6.1	12.50	17.68	25.00	30.62	39.53	46.77	55.90					
CN24.320			●	●	6.4	16.00	22.63	32.00	39.19	50.60	59.87	71.55					
CN24.400			●	●	7.8	20.00	28.28	40.00	48.99	63.25	74.83	89.44					
CN24.520				●	8.9	26.00	36.77	52.00	63.69	82.22	97.28	116.28					
CN24.650				●	9.9	32.50	45.96	65.00	79.61	102.77	121.60	145.34					
CN24.800				●	11.0	40.00	56.57	80.00	97.98	126.49	149.67	178.89					

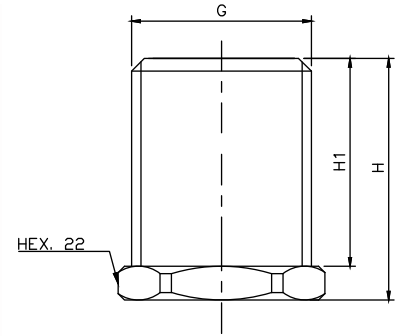
90° SPRAY ANGLE	END CONNECTION				ORIFICE SIZE (mm)	FLOW CAPACITY IN LPM AT DIFFERENT PRESSURE VALUES							G/A DIMENSION. MM				
	1/8"	1/4"	3/8"	1/2"		PRESSURE [BAR]							CONN.	H	H1	D	HEX
MODEL NO.	BSP BSPT NPT	BSP BSPT NPT	BSP BSPT NPT	BSP BSPT NPT		0.5	1.0	2.0	3.0	5.0	7.0	10.0					
CN16.050	●	●			0.8	0.25	0.35	0.50	0.61	0.79	0.94	1.12	1/8"	18	6.5	10.2	11
CN16.075	●	●			1.0	0.37	0.53	0.75	0.92	1.19	1.40	1.68	1/8" Weight (Metals) = 7 gms. Approx				
CN16.100	●	●			1.2	0.50	0.71	1.00	1.22	1.58	1.87	2.24	1/4"	22	10	13	14
CN16.150	●	●			1.5	0.75	1.06	1.50	1.84	2.37	2.81	3.35	1/4" Weight (Metals) = 18 gms. Approx				
CN16.175	●	●			1.6	0.87	1.24	1.75	2.14	2.77	3.27	3.91	3/8"	25	12	16	17
CN16.200	●	●			1.7	1.00	1.41	2.00	2.45	3.16	3.74	4.47	3/8" Weight (Metals) = 28 gms. Approx				
CN16.250	●	●			1.9	1.25	1.77	2.50	3.06	3.95	4.68	5.59	1/2"	27	13.2	21	22
CN16.300	●	●			2.1	1.50	2.12	3.00	3.67	4.74	5.61	6.71	1/2" Weight (Metals) = 42 gms. Approx				
CN16.350	●	●			2.3	1.75	2.47	3.50	4.29	5.53	6.55	7.83					
CN16.400	●	●			2.4	2.00	2.83	4.00	4.90	6.32	7.48	8.94					
CN16.475	●	●			2.7	2.37	3.36	4.75	5.82	7.51	8.89	10.62					
CN16.650	●	●			3.1	3.25	4.60	6.50	7.96	10.28	12.16	14.53					
CN16.800	●	●			3.5	4.00	5.66	8.00	9.80	12.65	14.97	17.89					
CN26.100		●	●		3.9	5.00	7.07	10.00	12.25	15.81	18.71	22.36					
CN26.125		●	●		4.3	6.25	8.84	12.50	15.31	19.76	23.39	27.95					
CN26.160		●	●		4.9	8.00	11.31	16.00	19.60	25.30	29.93	35.78					
CN26.180		●	●		5.2	9.00	12.73	18.00	22.05	28.46	33.67	40.25					
CN26.200		●	●		5.5	10.00	14.14	20.00	24.49	31.62	37.42	44.72					
CN26.225		●	●		5.8	11.25	15.91	22.50	27.56	35.58	42.09	50.31					
CN26.250		●	●		6.1	12.50	17.68	25.00	30.62	39.53	46.77	55.90					
CN26.320			●	●	6.4	16.00	22.63	32.00	39.19	50.60	59.87	71.55					
CN26.400			●	●	7.8	20.00	28.28	40.00	48.99	63.25	74.83	89.44					
CN26.520				●	8.9	26.00	36.77	52.00	63.69	82.22	97.28	116.28					
CN26.650				●	9.9	32.50	45.96	65.00	79.61	102.77	121.60	145.34					
CN26.800				●	11.0	40.00	56.57	80.00	97.98	126.49	149.67	178.89					

KS Series Steam Spray Nozzles

KS



KS Series : 3/8" & 1/2"



KS1 Series : 3/4" & 1/2"

'Spraytech' make KS series steam spray nozzles offers various capacities of mass flow rate for saturated and superheated steam which is widely used for applications such as steam purging, heating, humidification, sterilization etc.

KS series are available with inbuilt NRV design which allows the nozzle to work in immersible conditions. It opens when pressure is applied and locks itself when there is no pressure.

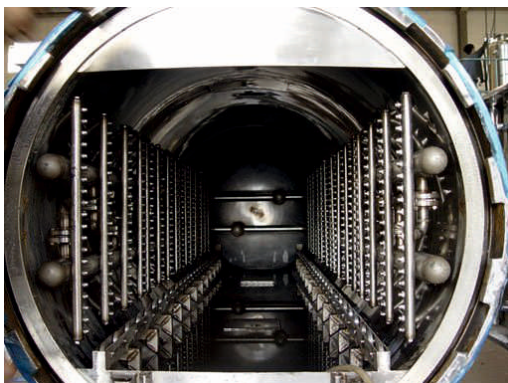
Available in two body designs, Standard (KS) and Full Threading (KS1)

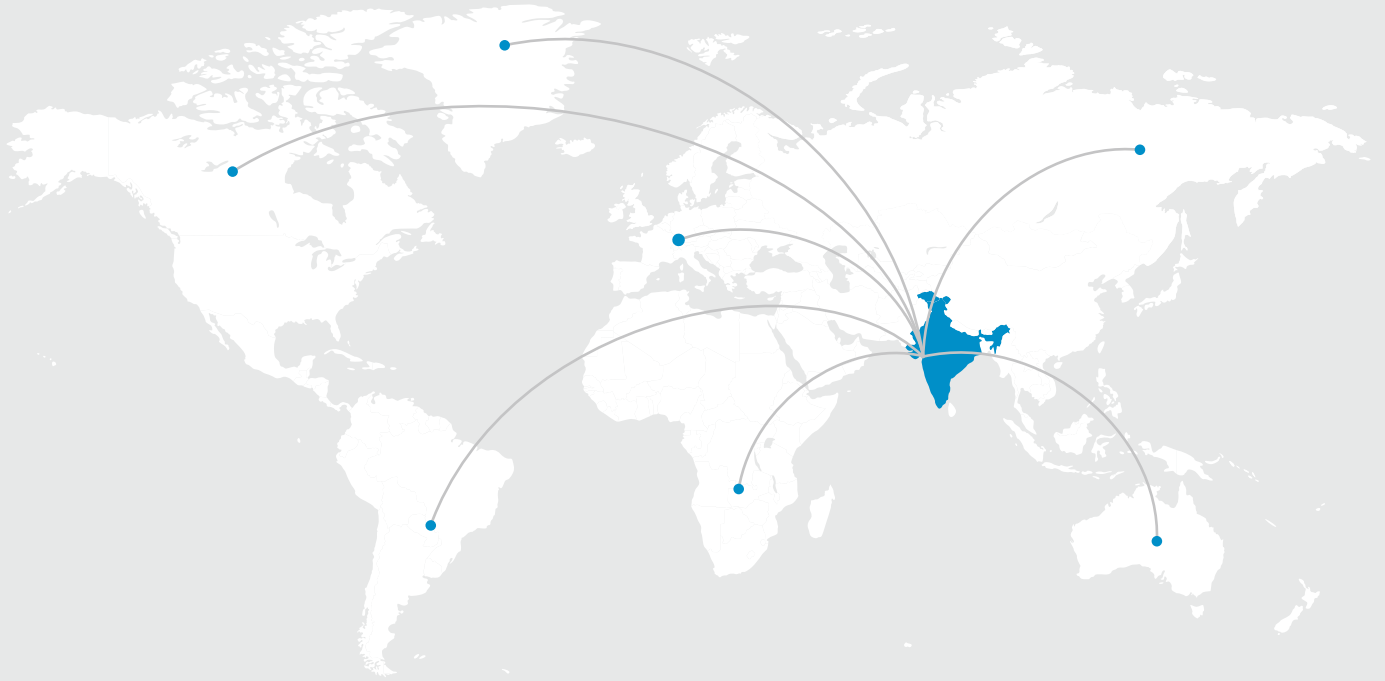
Note: Designs are available with and without NRV features, please mention while ordering.



MODEL NO	END CONNECTION			MASS FLOW RATE OF SAT. STREAM (kg/hr)					G/A DIMENSION MM				
				Pressure [bar]									
	3/8"	1/2"	3/4"	1	2	3	4	5	CONN.	H	H1	D	HEX
KS.03	●			8.3	11.4	15.48	19.80	23.04	3/8"	25	10	16	17
KS.04	●			10.6	15.3	21.60	27.36	32.40	Weight (Metals) = XX gms. Approx				
KS.05	●	●		16.4	21.6	30.96	39.60	46.44	1/2"	32	13.2	21	22
KS.08	KS1.08	●		31.8	47.71	63.61	79.51	95.42	Weight (Metals) = XX gms. Approx				
KS.13	KS1.13		●	83.9	125.9	167.7	209.6	251.5	3/4"	42	15	32	27
	KS1.12		●	127.2	190.8	256.4	318.0	381.6	Weight (Metals) = XX gms. Approx				
	KS1.12		●	161.0	241.5	322.0	402.5	483.0					

End Connection : X – BSP, Y – BSPT, Z – NPT Available.





OUR BRANCHES

Regd. Office (Mumbai) :

Spraytech House, Plot A-132, Road No. 23, Spraytech Circle,
Wagle Indl. Estate, Thane (W) - 400 604. Mumbai Maharashtra, (India)
Tel. : 91-022-2582 8929 / 2735 / 2736
E-mail :- sales@spraytechindia.com
sales1@spraytechindia.com

Rabale Plant 1 (Navi Mumbai) :

Spraytech Systems (I) Pvt. Ltd., Plot No.: R-513, MIDC, TTC Industrial
Area, Rabale, Navi Mumbai - 400 701.

Rabale Plant 2 (Navi Mumbai) :

R-446, T.T.C. Industrial Area, MIDC Rabale,
Navi Mumbai - 400 701.

Branch Office (Pune) :

White House, Survey no. 161, Near
Bhosale Garden Hadapsar, Pune 411028

Indapur Plant (Pune) :

Spraytech Systems (I) Pvt. Ltd., Plot No.: A-5, Indapur Five Star
Industrial Area, Village - Loni Devkar Balpudi, Tal. - Indapur,
Dist. - Pune. - 413132

